



FLOOR COLLECTION



logodesignlove



INVESTING IN FUTURE

Innovation, quality and know-how: since 1994 we've been investing in knowledge, technology and our machinery park. Over 20 years we create and improve our product portfolio. We aim to become market LEADER wherever we are present. We provide solutions for the most demanding floor users. We share experience and set trends. We are the FLOOR EXPERT.



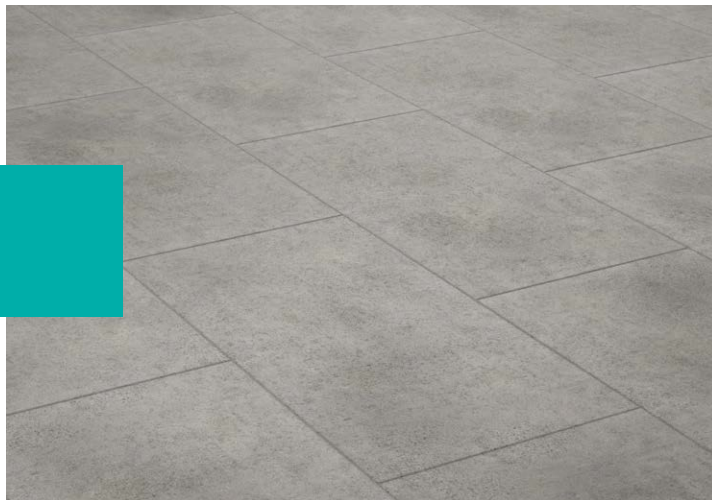


20 AMARON
COLLECTION



28 LIBERAL
COLLECTION

42
AROQ
COLLECTION



COLLECTIONS:

20	AMARON COLLECTION
28	LIBERAL COLLECTION
42	AROQ COLLECTION
58	TECHNICAL PARAMETERS
60	ACCESSORIES





**HD
MINERAL
CORE**



**HARDNESS AND
DURABILITY OF
NATURAL ROCK
MINERALS**



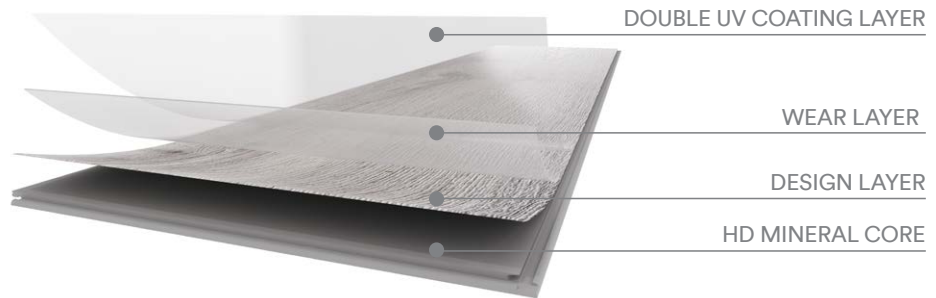
**THE FLEXIBILITY OF
MODERN POLYMERS
BASED ON CARBON
MOLECULES**

**INSPIRED
BY NATURE**



HD MINERAL CORE®

In our laboratories we've discovered an innovative mixture of natural rock minerals and advanced polymers. Carefully selected proportion ensures maximum performance of the floor. Our HD mineral core provides extreme durability what we confirm with 20 year guarantee. We are proud of the quality of our products free of phthalates and harmful plasticizers.



* 15 years guarantee for LIBERAL Collection
* 20 years guarantee for AMARON Collection and AROQ Collection



STRONG & SILENT
**CLICK
FLOOR**



DURABILITY + STRONGER LOCKING SYSTEM

HD mineral core primarily means extremely strong locking system what gives the whole flooring system a maximum durability. Despite of small thickness of the plank our locks are 2 times stronger than average LVT locks available on the market.

LOCKING STRENGTH (ISO 24334)

AMARON

Long Side 5,2 kN/m
End Face 6,5 kN/m

LIBERAL

Long Side 5,0 kN/m
End Face 6,2 kN/m



* 5G for AMARON Collection
* 2G for LIBERAL Collection



**EXTRA
DIMENSIONAL
STABILITY**



DIMENSIONAL STABILITY

HD mineral core also means high dimensional stability of the floor even in very sunny rooms. We offer at least 2 times higher dimensional stability of our floors in comparison to traditional LVT.

DIMENSIONAL STABILITY (EN ISO 23999) up to 0,05%



FLOOR
HEATING



UNDERFLOOR HEATING

Very low thermal resistance of our floors means more effective use of the underfloor heating system. Thanks to HD mineral core less fuel is needed for floor heating and over 60% less carbon is released into the atmosphere from one household in Europe, each year.

THERMAL RESISTANCE (EN 12664) up to 0,033 m² K/W



WATERPROOF

No need to be scared of water. Our floors are 100% waterproof. Frequent cleaning or spilled drinks are no longer dangerous to your floor. With no doubts you can connect your kitchen floor with the rest of your living space.

100% WATERPROOF



**WATER
PROOF**



KITCHEN + LIVING ROOM
HALL

ONE SPACE ONE FLOOR

Thanks to its usability our floor is dedicated to open space interiors. Open kitchen with living room is a heart of your home and with our HD mineral core solution your floor will stay strong and beautiful for years.



NATURAL
EMBOSSED

Designed by **A** DESIGN
STUDIO. ■

Our floors are inspired by nature and designed based on latest trends in our A.Design Studio.

We used our knowledge and experience to provide 4 unique collections. Everyone can find The One perfect for his interior.

DESIGN IS IN THE DETAIL

Arbiton is a well-known brand specialized in technologically advanced floor accessories. Our floor system is designed from scratch in every detail.

We provide dedicated:

underlays - Multiprotec LVT as a perfect harmony with features of HD Mineral Core and Multiprotec LVT Fastlay as a revolutionary fast Dryback floor installation

perfectly matched skirting boards in modern shapes and two sizes – 60 mm and 80 mm

comprehensive floor profiles system

Because we care about every detail.

We are the FLOOR EXPERT.



Floor accessories
see pages 60-62

UNDERLAYS



FLOOR PROFILES



SKIRTING BOARDS



1511 mm

229 mm

WIDE BOARD

AMARON

229 mm

WIDE BOARD

1220 mm

LIBERAL

0,55 mm

5,0 mm

0,3 mm

4,5 mm

SIZE DOES MATTER

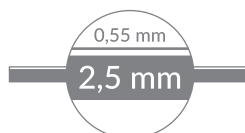
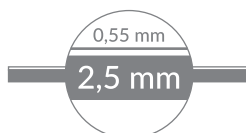
Our floors come in different shapes and sizes, but what's really important - our AMARON and LIBERAL planks are the widest available on the market.



AROQ
WOOD DESIGN



AROQ
STONE DESIGN



IT CAN'T BE
EASIER



AMARON
COLLECTION

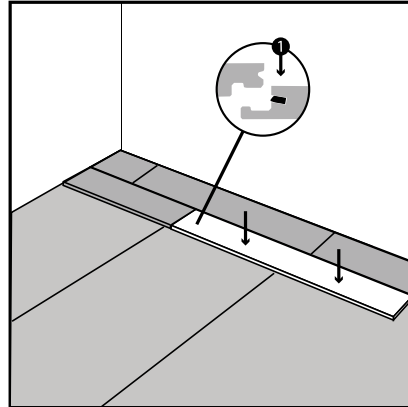
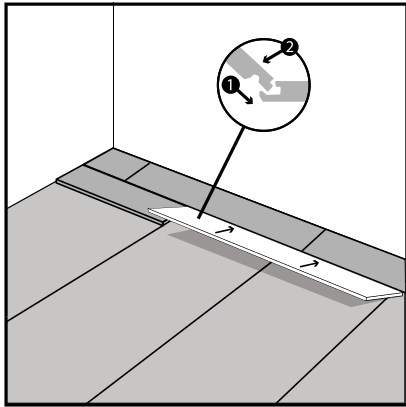
STRONG & SILENT
**CLICK
FLOOR**



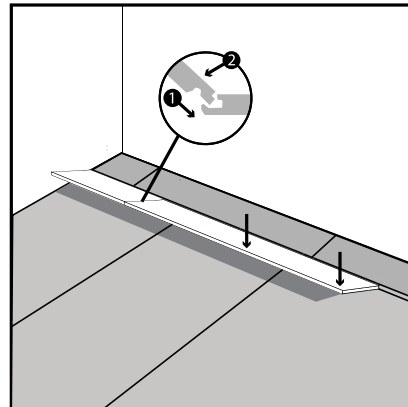
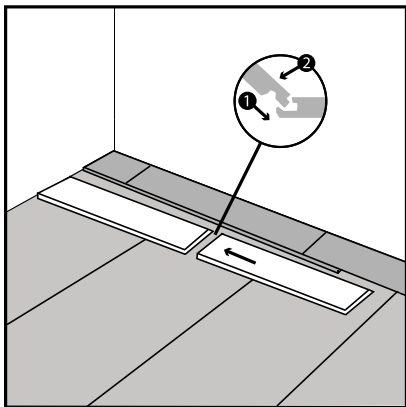
LIBERAL
COLLECTION

STRONG & SILENT
**CLICK
FLOOR**





5G® LOCKING SYSTEM is based on a single action installation method. The boards are locked on the long side with a traditional angling method. When a panel is folded down, a flexible plastic tongue is pushed into a tongue-groove. As the panel reaches its final position, the locking tongue snaps out into a wedge groove, emits a “click” sound and locks the product vertically. Floor installation has never been easier.



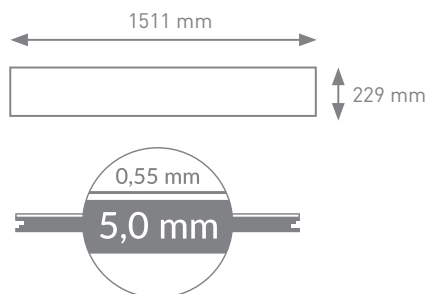
2G® LOCKING SYSTEM is a strong and durable mechanical locking system installed by angling. Suitable for all panel widths, vertical and horizontal locking. Robust and easy floor installation.



**AMARON
COLLECTION**



AMARON COLLECTION



WATER PROOF 	SILENT FLOOR
FLOOR HEATING 	4 BEVELS
20 YEARS GUARANTEE RESIDENTIAL	STRONG CLICK 5G

STRONG & SILENT
**CLICK
FLOOR**

WATCH THE
INSTALLATION
VIDEOS
ON
www.1space1floor.com

AMARON CA 117 | LAHTI OAK



EAN: 5905167798553

AMARON
CA 102 | ALASKAN OAK



FIND
MATCHING
ONE
SKIRTING
BOARD

EAN: 5905167798508

AMARON CA 113 | PANAMA OAK



EAN: 5905167798515

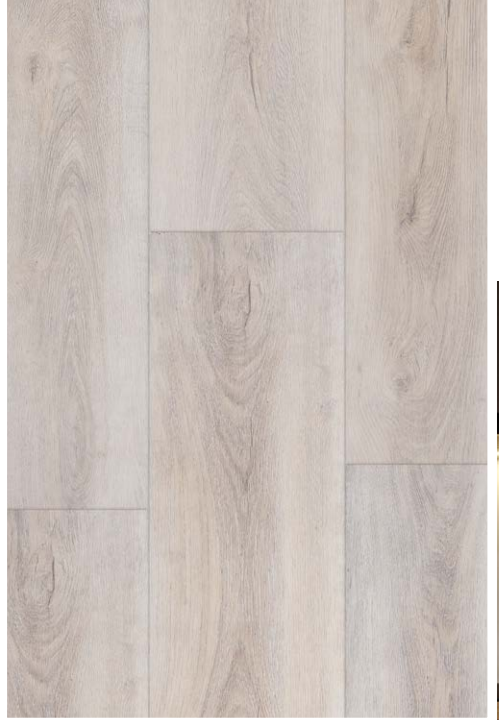
AMARON
CA 114 | WILIAMSBURG OAK



FIND
MATCHING
ONE
SKIRTING
BOARD

EAN: 5905167798522

AMARON CA 115 | OREGON OAK



FIND
MATCHING
ONE
SKIRTING
BOARD

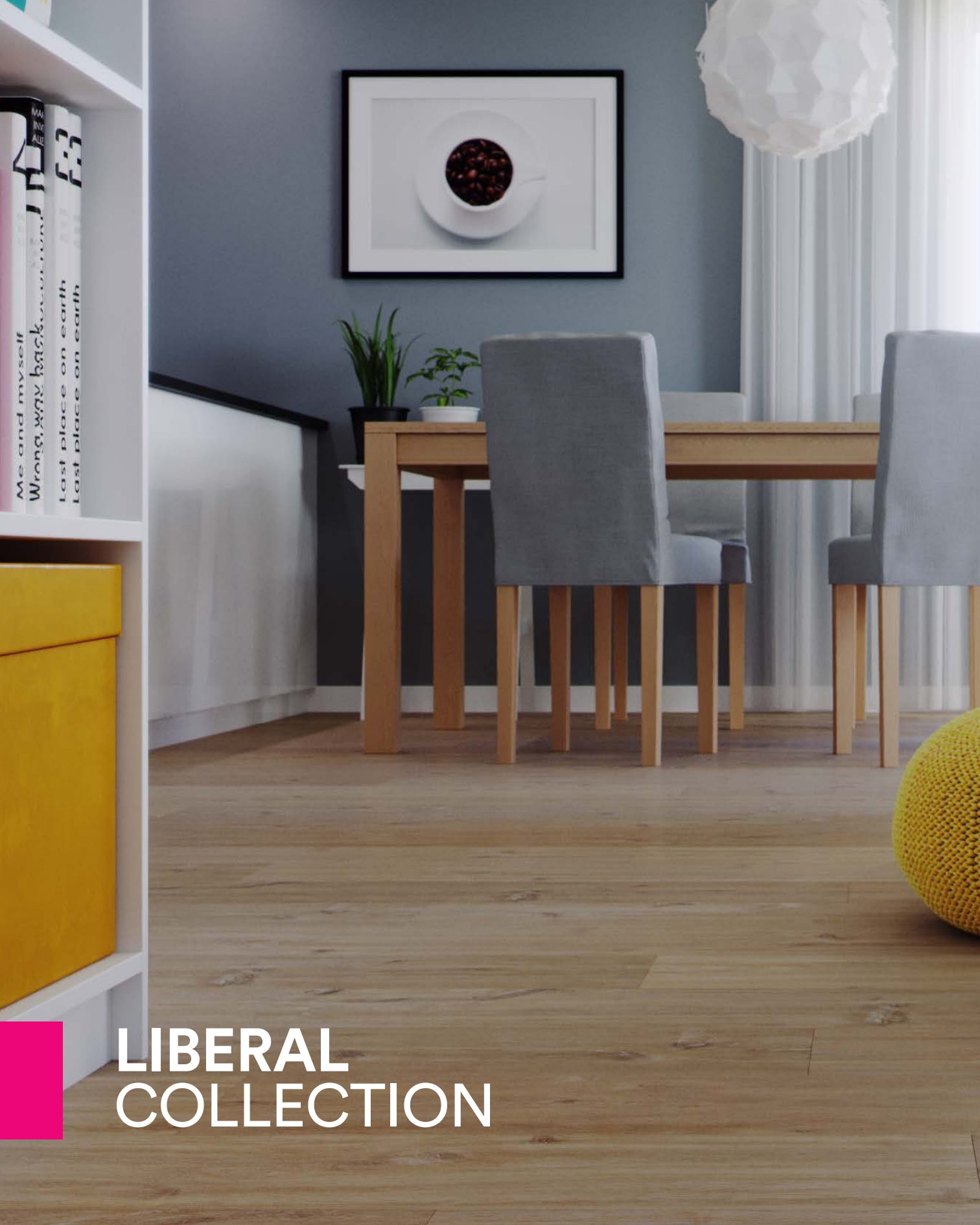
EAN: 5905167798539

AMARON
CA 116 | ARGOS OAK



FIND
MATCHING
ONE
SKIRTING
BOARD

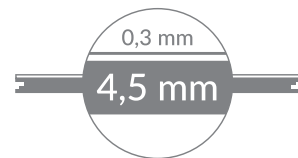
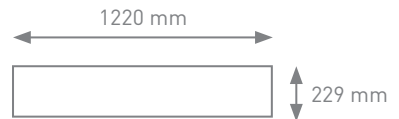
EAN: 5905167798546



**LIBERAL
COLLECTION**



LIBERAL COLLECTION



STRONG & SILENT
**CLICK
FLOOR**

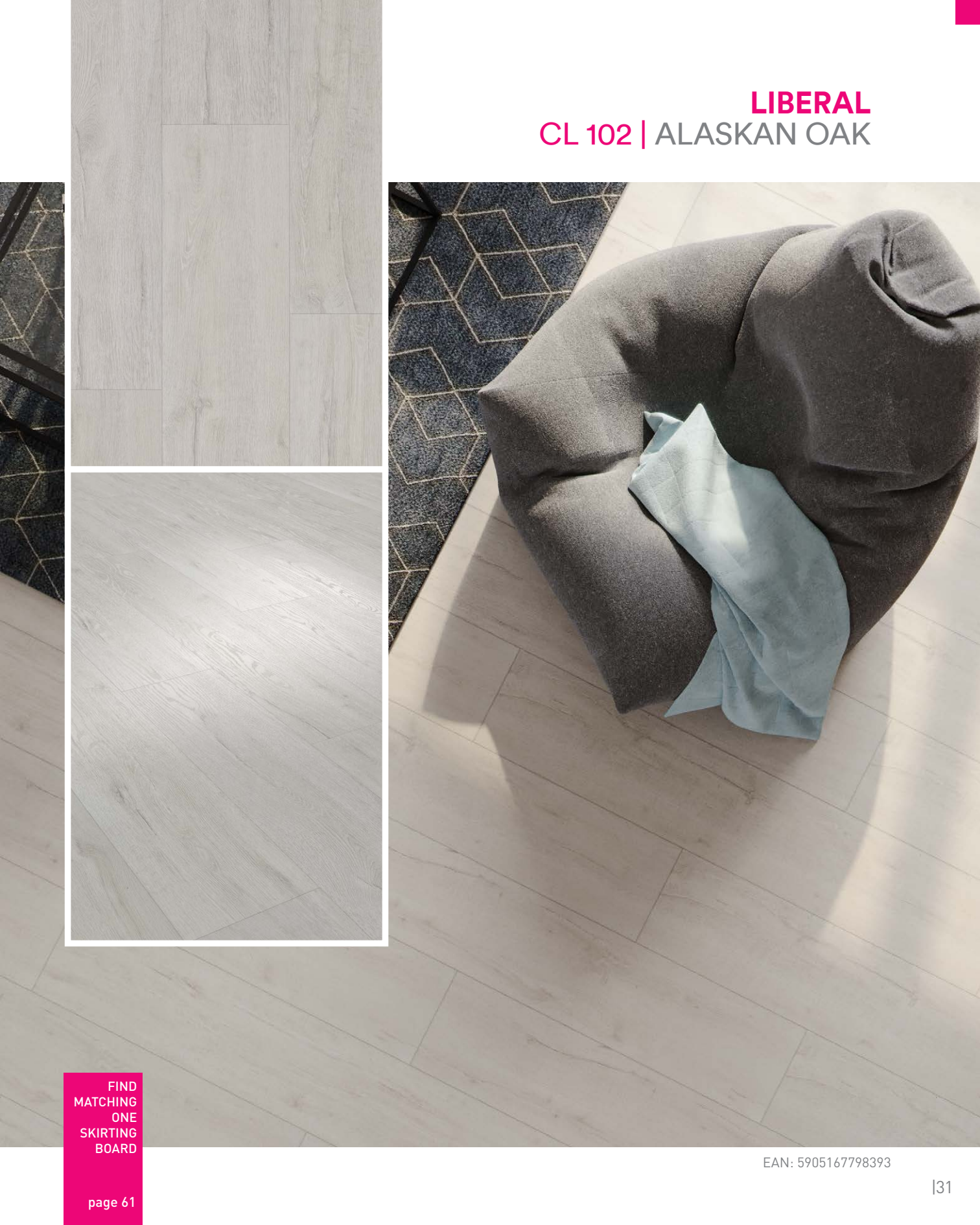
WATCH THE
INSTALLATION
VIDEOS
ON
www.1space1floor.com

LIBERAL
CL 101 | SAPPORO OAK



EAN: 5905167798386

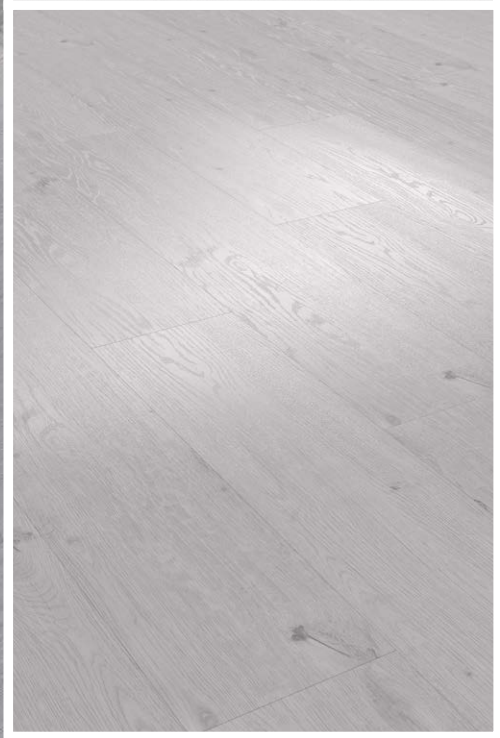
LIBERAL
CL 102 | ALASKAN OAK



FIND
MATCHING
ONE
SKIRTING
BOARD

EAN: 5905167798393

LIBERAL
CL 103 | BERGEN OAK



EAN: 5905167798409

LIBERAL
CL 104 | CANADIAN OAK



FIND
MATCHING
ONE
SKIRTING
BOARD

LIBERAL
CL 105 | CONEY OAK



EAN: 5905167798423

LIBERAL
CL 112 | BOLOGNA OAK



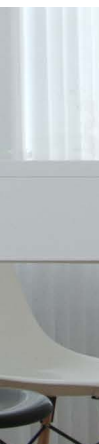
FIND
MATCHING
ONE
SKIRTING
BOARD

LIBERAL
CL 106 | PORTLAND OAK



EAN: 5905167798430

LIBERAL
CL 107 | PASADENA OAK



FIND
MATCHING
ONE
SKIRTING
BOARD

EAN: 5905167798447

LIBERAL
CL 108 | DAKOTA OAK



EAN: 5905167798454

LIBERAL
CL 109 | GEORGIA OAK



FIND
MATCHING
ONE
SKIRTING
BOARD

EAN: 5905167798461

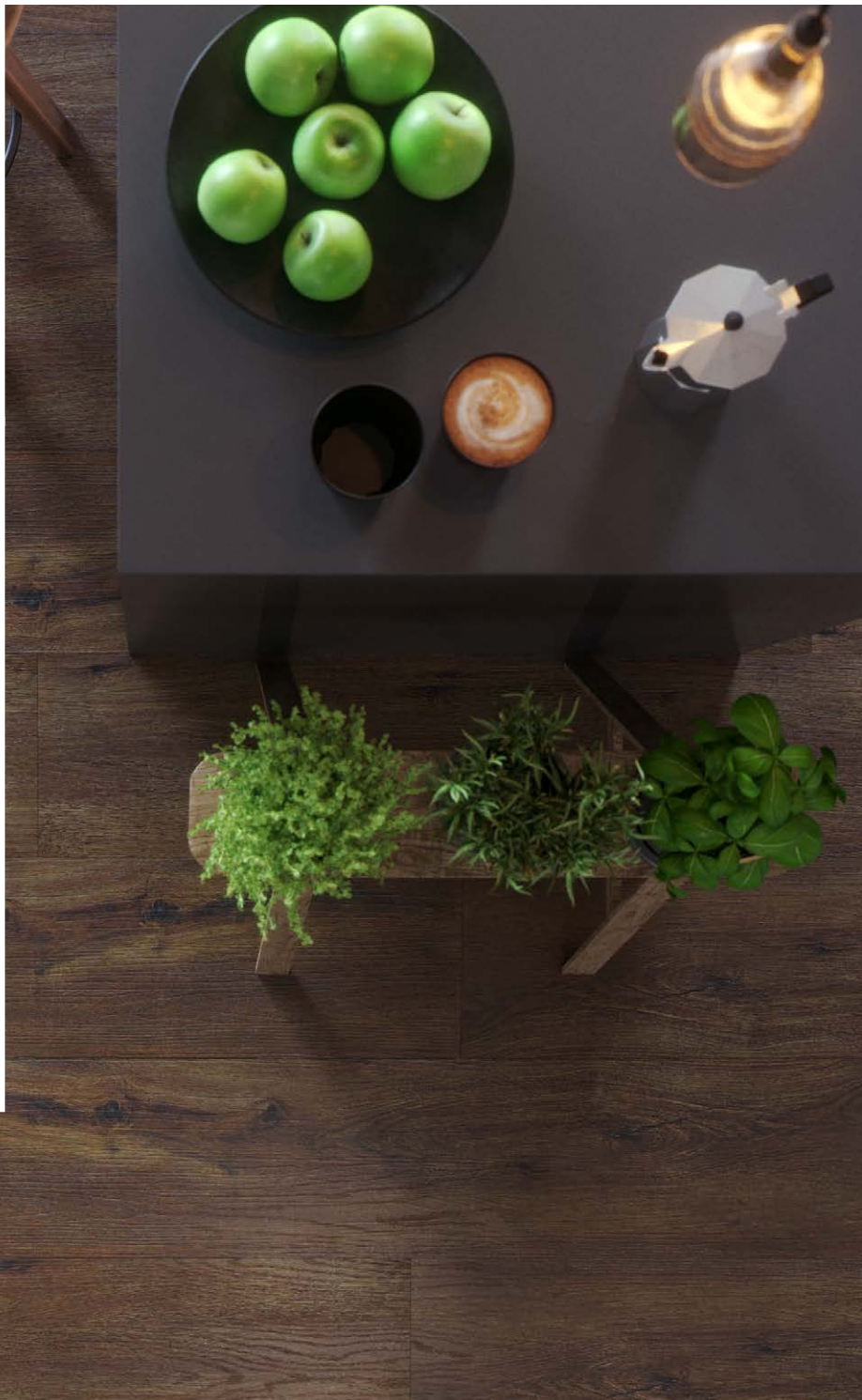
LIBERAL
CL 110 | YAKIMA OAK



FIND
MATCHING
ONE
SKIRTING
BOARD

EAN: 5905167798478

LIBERAL
CL 111 | NEVADA WALNUT



FIND
MATCHING
ONE
SKIRTING
BOARD



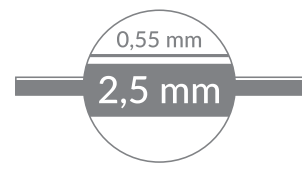
AROQ WOOD DESIGN
COLLECTION



GLUE DOWN
**VINYL
FLOOR**

AROQ

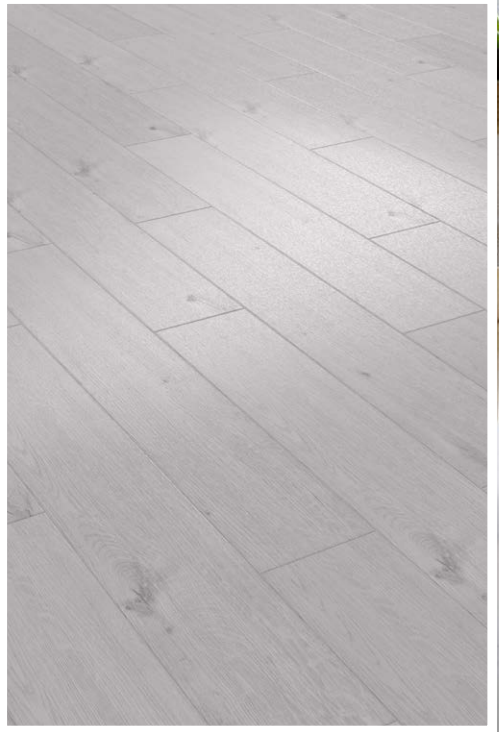
WOOD DESIGN
COLLECTION



HIGH RESISTANCE	WATER PROOF
SILENT FLOOR	FLOOR HEATING
 BEVELS	20 YEARS GUARANTEE RESIDENTIAL

WATCH THE
INSTALLATION
VIDEOS
ON
www.1space1floor.com

AROQ WOOD DESIGN
DA 103 | BERGEN OAK



FIND
MATCHING
ONE
SKIRTING
BOARD

EAN: 5905167798621

AROQ WOOD DESIGN
DA 112 | BOLOGNA OAK



FIND
MATCHING
ONE
SKIRTING
BOARD

EAN: 5905167798638

AROQ WOOD DESIGN
DA 107 | PASADENA OAK



FIND
MATCHING
ONE
SKIRTING
BOARD

EAN: 5905167798645

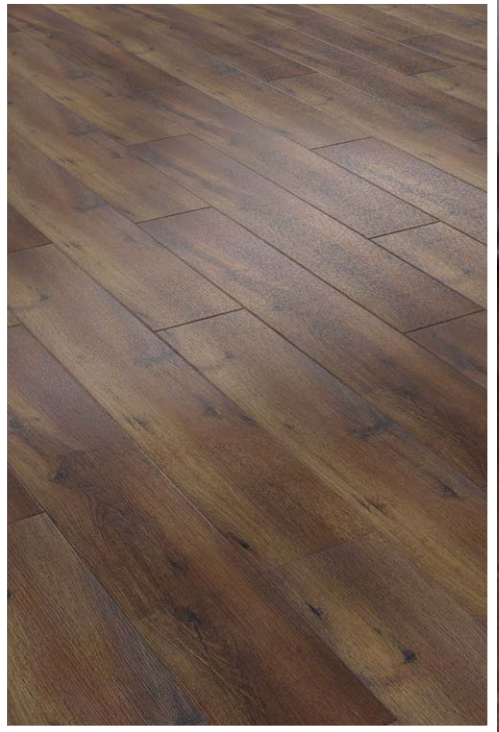
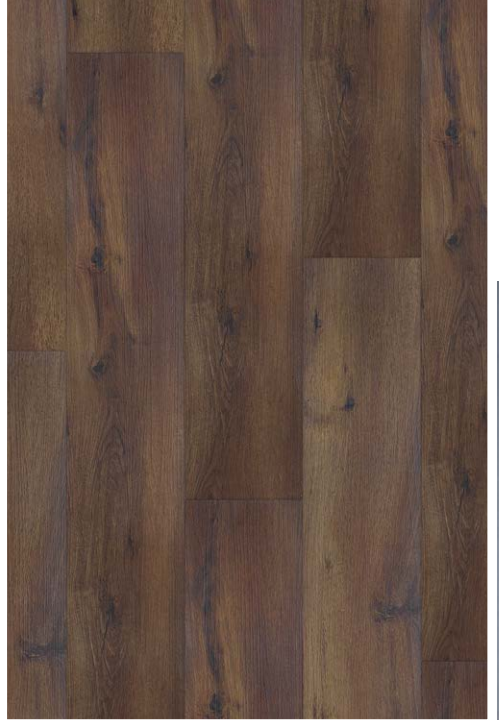
AROQ WOOD DESIGN
DA 114 | WILIAMSBURG OAK



FIND
MATCHING
ONE
SKIRTING
BOARD

EAN: 5905167798652

AROQ WOOD DESIGN
DA 111 | NEVADA WALNUT



EAN: 5905167798669

AROQ WOOD DESIGN
DA 124 | CAMDEN OAK



FIND
MATCHING
ONE
SKIRTING
BOARD

EAN: 5905167798676



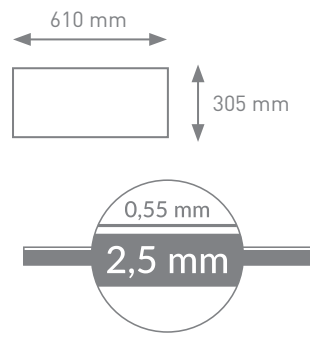
AROQ STONE DESIGN
COLLECTION



GLUE DOWN
**VINYL
FLOOR**

AROQ

STONE DESIGN
COLLECTION



HIGH KG RESISTANCE	WATER PROOF
SILENT FLOOR	FLOOR HEATING
BEVELS 	20 YEARS GUARANTEE RESIDENTIAL

WATCH THE
INSTALLATION
VIDEOS
ON
www.1space1floor.com

AROQ STONE DESIGN
DA 118 | SOHO CONCRETE



FIND
MATCHING
ONE
SKIRTING
BOARD

EAN: 5905167798560

AROQ STONE DESIGN
DA 119 | TORONTO CONCRETE



FIND
MATCHING
ONE
SKIRTING
BOARD

AROQ STONE DESIGN
DA 120 | MIAMI CONCRETE



FIND
MATCHING
ONE
SKIRTING
BOARD

EAN: 5905167798591

AROQ STONE DESIGN
DA 121 | BROOKLYN CONCRETE



FIND
MATCHING
ONE
SKIRTING
BOARD

AROQ STONE DESIGN
DA 122 | BROADWAY CONCRETE



FIND
MATCHING
ONE
SKIRTING
BOARD

EAN: 5905167798614

AROQ STONE DESIGN
CA 123 | MANHATTAN CONCRETE



FIND
MATCHING
ONE
SKIRTING
BOARD

EAN: 5905167798577

TECHNICAL PARAMETERS

COLLECTION	DIMENSIONS	THICKNESS	PACK
AMARON	 1511 x 229 mm		1 BOX = 6  = 2,08 m ²
LIBERAL	 1220 x 229 mm		1 BOX = 8  = 2,24 m ²
AROQ WOOD DESIGN	 914 x 152 mm		1 BOX = 20  = 2,78 m ²
AROQ STONE DESIGN	 610 x 305 mm		1 BOX = 20  = 3,72 m ²

BEVELS

INSTALLATION

PERFORMANCE LEVEL

RESIDENTIAL
GUARANTEE



STRONG & SILENT
**CLICK
FLOOR**



STRONG & SILENT
**CLICK
FLOOR**



GLUE DOWN
**VINYL
FLOOR**



GLUE DOWN
**VINYL
FLOOR**



UNDERLAYS

FOR LVT WITH CLICK
AMARON LIBERAL

MULTIPROTEC LVT



Material: PU/minerals + fleece | Density: 1000 kg/m³ | Reaction to fire: Bfl - s1

Floor heating	Acoustic comfort	Floor durability	Subfloor
 **** up to 0,008 m ² K/W	 RWS up to 8 % IS up to 16 dB	 kg CS up to 400 kPa PC up to 0,5 mm	 SD 75

8,5 x 1,0 m = 8,5 m² | 1,6 mm | EAN 590516776339



FOR LVT DRYBACK
AROQ

MULTIPROTEC LVT FASTLAY



Material: PU/minerals | Density: 1000 kg/m³ | Reaction to fire: Bfl - s1

Floor heating	Acoustic comfort	Floor durability	Subfloor
 **** up to 0,01 m ² K/W	 RWS up to 8 % IS up to 17 dB	 kg CS up to 400 kPa PC up to 0,6 mm	 SD 75

6,0 x 1,0 m = 6,0 m² | 1,8 mm | EAN 5905167805954



SECURA LVT CLICK SMART N



Material: Modified XPS/PET | Density: 100 kg/m³

Floor heating	Acoustic comfort	Floor durability	Subfloor
 *** up to 0,04 m ² K/W	 RWS - IS up to 19 dB	 kg CS up to 400 kPa PC up to 1,0 mm	 SD 150

8,5 x 1,18 m = 10,0 m² | 1,5 mm | EAN 5905167781302



SKIRTING BOARDS



ONE 60

ONE 80

D-ONE

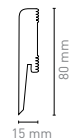


NO.	NAME	EAN
101	Sapporo Oak	5905167803301
102	Alaskan Oak	5905167803318
103	Bergen Oak	5905167803325
104	Canadian Oak	5905167803332
105	Coney Oak	5905167803349
106	Portland Oak	5905167803356
107	Pasadena Oak	5905167803363
108	Dakota Oak	5905167803370
109	Georgia Oak	5905167803387
110	Yakima Oak	5905167803394
111	Nevada Walnut	5905167803400
112	Bologna Oak	5905167803417
113	Panama Oak	5905167803424
114	Williamsburg Oak	5905167803431
115	Oregon Oak	5905167803448
116	Argos Oak	5905167803455
117	Lahti Oak	5905167803462
118	Soho	5905167803479
119	Toronto	5905167803486
120	Miami	5905167803493
121	Brooklyn	5905167803509
122	Broadway	5905167803516
123	Manhattan	5905167803523
124	Camden Oak	5905167803530



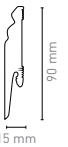
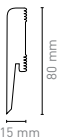
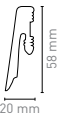
length: 2,40 m

NO.	NAME	EAN
101	Sapporo Oak	5905167803066
102	Alaskan Oak	5905167803073
103	Bergen Oak	5905167803080
104	Canadian Oak	5905167803097
105	Coney Oak	5905167803103
106	Portland Oak	5905167803110
107	Pasadena Oak	5905167803127
108	Dakota Oak	5905167803134
109	Georgia Oak	5905167803141
110	Yakima Oak	5905167803158
111	Nevada Walnut	5905167803165
112	Bologna Oak	5905167803172
113	Panama Oak	5905167803189
114	Williamsburg Oak	5905167803196
115	Oregon Oak	5905167803202
116	Argos Oak	5905167803219
117	Lahti Oak	5905167803226
118	Soho	5905167803233
119	Toronto	5905167803240
120	Miami	5905167803257
121	Brooklyn	5905167803264
122	Broadway	5905167803271
123	Manhattan	5905167803288
124	Camden Oak	5905167803295



length: 2,40 m

NO.	NAME	EAN
01 white	D0610	5905167805961
02 inox	D0610	5905167805978
01 white	D0810	5905167805992
01 white	D0910	5905167805985
01 white	L0810	5905167806005
02 inox	L0810	5905167799932
01 white	L0950	5905167806012



length: 2,40 m

PROFILES

NAME	DESTINATION	WIDTH	MONTAGE	COLOUR	LENGTH	EAN				
PRO 20				B1 - silver	0,93 m	5905167800911				
				B1 - silver	1,86 m	5905167800942				
				B1 - silver	2,79 m	5905167800928				
				B3 - titanium	0,93 m	5905167800935				
				B3 - titanium	1,86 m	5905167800966				
				B3 - titanium	2,79 m	5905167800959				
PRO DUO 22				B1 - silver	2,79 m	5905167801154				
				B3 - titanium	2,79 m	5905167801178				
PRO 26				B1 - silver	0,93 m	5905167800973				
				B1 - silver	1,86 m	5905167801000				
				B1 - silver	2,79 m	5905167800980				
				B3 - titanium	0,93 m	5905167800997				
				B3 - titanium	1,86 m	5905167801024				
				B3 - titanium	2,79 m	5905167801017				
PRO DUO 38				B1 - silver	2,79 m	5905167801093				
				B3 - titanium	2,79 m	5905167801116				
PRO L				B1 - silver	0,93 m	5905167801048				
				B1 - silver	1,86 m	5905167801031				
				B1 - silver	2,79 m	5905167801079				
				B3 - titanium	0,93 m	5905167801062				
				B3 - titanium	1,86 m	5905167801055				
				B3 - titanium	2,79 m	5905167801086				

FLOOR

COLLECTION	NO.	NAME	EAN
AMARON	CA 117	Lahti Oak	5905167798553
	CA 102	Alaskan Oak	5905167798508
	CA 113	Panama Oak	5905167798515
	CA 114	Williamsburg Oak	5905167798522
	CA 115	Oregon Oak	5905167798539
	CA 116	Argos Oak	5905167798546
LIBERAL	CL 101	Sapporo Oak	5905167798386
	CL 102	Alaskan Oak	5905167798393
	CL 103	Bergen Oak	5905167798409
	CL 104	Canadian Oak	5905167798416
	CL 105	Coney Oak	5905167798423
	CL 112	Bologna Oak	5905167798492
	CL 106	Portland Oak	5905167798430
	CL 107	Pasadena Oak	5905167798447
	CL 108	Dakota Oak	5905167798454
	CL 109	Georgia Oak	5905167798461
	CL 110	Yakima Oak	5905167798478
CL 111	Nevada Walnut	5905167798485	
AROQ WOOD DESIGN	DA 103	Bergen Oak	5905167798621
	DA 112	Bologna Oak	5905167798638
	DA 107	Pasadena Oak	5905167798645
	DA 114	Williamsburg Oak	5905167798652
	DA 111	Nevada Walnut	5905167798669
	DA 124	Camden Oak	5905167798676
AROQ STONE DESIGN	DA 118	Soho Concrete	5905167798560
	DA 119	Toronto Concrete	5905167798584
	DA 120	Miami Concrete	5905167798591
	DA 121	Brooklyn Concrete	5905167798607
	DA 122	Broadway Concrete	5905167798614
	DA 123	Manhattan Concrete	5905167798577



Arbiton
FLOOR EXPERT

DECORA GROUP

Decora S.A., ul. Prądzińskiego 24a
63-000 Środa Wlkp., Polska
tel.: +48 61 28 64 200, fax: +48 61 28 54 975
e-mail: sales@decora.pl / www.arbiton.com

Germany

ewifoam E. Wicklein GmbH
Industriestr. 11, D-96317 Kronach
Tel.: +49 (0) 9261 / 50490-0
Fax: +49 (0) 9261 / 50490-50
info@ewifoam.de / www.ewifoam.de

The catalogue is a free of charge presentation of products of Decora S.A. and acc. to valid law it is not a commercial offer. Colors and textures of the products in pictures may differ from real ones because of limited printing technologies. Decora S.A. reserves its right to alter availability of the products on some markets and at some distributors. The products included in the catalogues do not pose a complete offer of Decora S.A.