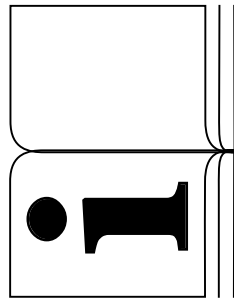


WERKU[®]



ENG ORIGINAL INSTRUCTIONS / CABLE HOIST
ESP INSTRUCCIONES ORIGINALES / POLIPASTO CABLE
DEU ORIGINALANLEITUNGEN / KABEL HEBEZEUG
FRA INSTRUCTIONS ORIGINALES / PALAN CÂBLE
NED ORIGINELE INSTRUCTIES / KABEL TAKEL
POR INSTRUÇÕES ORIGINAIS / GARIBALDE CABO

1600 W - 500-1000 KG - 2500 RPM - 22 M - 5.6 MM

WK400550

CE DECLARATION CONFORMITY.

► Werku® declares that the **WK400550** hoist is in accordance with the European Directives and Standards 2006/42/CE, 2014/30/EU, EN 14492-2:2006+A1, EN 60204-32:2008, EN 55014-1:2017, EN 55014-2:2015, EN 61000-3-2:2019 and EN 61000-3-3:2013.

La Coruña, 01/12/2020

R Yáñez

Werku Tools SA

TECHNICAL CHARACTERISTICS.

► Voltage-frequency 230V~50Hz ► Power 1600W
► Class I ► Protection index IP54 ► Speed rate 2500 min⁻¹ ► Lifting capacity 500-1000 kg ► Lifting speed 8-4 mpm ► Lifting height 22-11 m ► Cable capacity ≥ 2500 kg ► Cable length 22 m ► Cable diameter 5.6 mm ► Net weight 31 kg ► Acoustic pressure L_{pA} ≤ 70 dB(A) ► Respective uncertainty K_{pA} 3 dB(A) ► Acoustic pressure L_{wA} ≤ 80 dB(A) ► Respective uncertainty K_{wA} 3 dB(A) ► Vibration A_w ≤ 2.5 m/s² ► Respective uncertainty K 1.5 m/s².

SAFETY INSTRUCTIONS.

► Read all security warnings and all instructions
► Failure to follow all warnings and instructions listed below may result in electrical shock, fire and/or serious injury ► Keep all warnings and all instructions for future reference ► Accidents can be avoided in many cases by recognizing a potentially hazardous situation before it occurs and by observing appropriate safety procedures ► Do not use this hoist for other applications than those specified in this manual.

WORK AREA SAFETY.

► Keep work area clean and well lit ► Cluttered and dark areas invite accidents ► Do not handle power tools in explosive atmospheres, such as in the presence of flammable liquids, gases or dusts
► Keep away from children and curious while operating a power tool ► Distractions can cause you to lose control.

PERSONAL SAFETY.

► Stay alert, watch what you are doing and use common sense when operating a power tool
► Do not use a power tool while tired or under the influence of drugs, alcohol or medicines ► A moment of inattention while operating power tools may cause damage serious personal.

USE PPE'S.

► Use protection glasses according EN166 ► Use protection masks according EN149 ► If required by the type of work, use other precise PPE.

DO NOT WORK ON TIPTOES.

► Keep your feet on the ground and balance at all times ► This enables better control of the power tool in unexpected situations.

DRESS PROPERLY.

► Do not wear loose clothing or jewelry ► Keep your hair, clothing and gloves away from moving parts ► Loose clothes, jewelry or long hair can be caught in moving parts ► If there are devices for connecting means for extracting and collecting dust, make sure they are connected and properly used ► The use of these devices can reduce dust related hazards.

ELECTRICAL SAFETY.

► The plug of the power tool must match with the base of the socket ► Never modify the plug in any way ► Do not use any adapter plug with earthed power tools ► Unmodified plugs and matching bases will reduce the risk of electric shock ► Avoid body contact with grounded surfaces such as pipes, radiators, cookers and refrigerators ► There is an increased risk of electric shock if your body is grounded ► Do not expose power tools to rain or wet conditions ► Water entering the power tool will increase the risk of electric shock

DO NOT ABUSE THE CORD.

► Never use the cord to carry, lift or unplug the power tool ► Keep the cord away from heat, oil, sharp edges or moving parts ► Damaged or entangled cords increase the risk of electric shock ► When operating a power tool outdoors, use an extension cord suitable for outdoor use ► The use of an extension cord suitable for outdoor use reduces the risk of electric shock ► If the use of a power tool in a damp location is unavoidable, use a power protected by a residual current device (RCD) ► The use of an RCD reduces the risk of electric shock.

AVOID ACCIDENTAL STARTING.

► Make sure the switch is in "off" position before connecting to the network, or when taking or carrying the power tool ► Carrying power tools with your finger on the switch or plugging in

power tools that have the switch in “on” position invites to accidents ▶ Remove keys or tools before starting the power tool ▶ A left key or tool attached to a rotating part of a power tool can cause personal injury.

USE AND CARE OF POWER TOOLS.

▶ Do not force the power tool ▶ Use the correct power tool for your application ▶ The correct power tool will do the job better and safer at the rate for which it was conceived ▶ Do not use the power tool if the switch cannot be positioned to “off” and “on” position ▶ Any power tool that cannot be controlled with the switch is dangerous and must be repaired ▶ Remove the plug from the power supply and/or battery before making any adjustments, changing accessories or storing the power tool ▶ Such preventive safety measures reduce the risk of starting the power tool accidentally.

STORE POWER TOOLS.

▶ Store power tools out of reach of children and not allow the handling of power tools to people unfamiliar with the tools or these instructions ▶ Power tools are dangerous in the hands of untrained users.

MAINTENANCE.

▶ Check moving parts for misalignment or binding, there are no broken parts or other conditions that may affect the operation of power tools ▶ Power tools are repaired before use when they are damaged ▶ Many accidents are caused by poorly maintained power tools ▶ Use power tools, accessories and tool tips, etc. according to these instructions and in the manner provided for the particular type of power tool, taking into account the conditions work and work to develop ▶ The use of the power tool for applications other than those intended could result in a dangerous situation ▶ Please check your power tool serviced by a Werku® official repair service using only identical replacement parts ▶ This will ensure the safety of the power tool is maintained.

CHECK THE GOOD CONDITION OF THE HOIST.

▶ Make sure that all the screws in the hoist are perfectly tightened ▶ In cold climates or when the hoist has not been used for a period, allow the hoist to warm up by leaving it to run empty

for a few minutes, to ensure that all internal components are perfectly lubricated ▶ Make sure that the possible installed accessories are perfectly fitted in place.

BEFORE STARTING WORK.

▶ Make sure that the hoist is firmly supported before using ▶ Check that no one is standing beneath you when using the hoist in high areas ▶ Keep your hands away from all moving parts of the hoist.

DURING THE OPERATION.

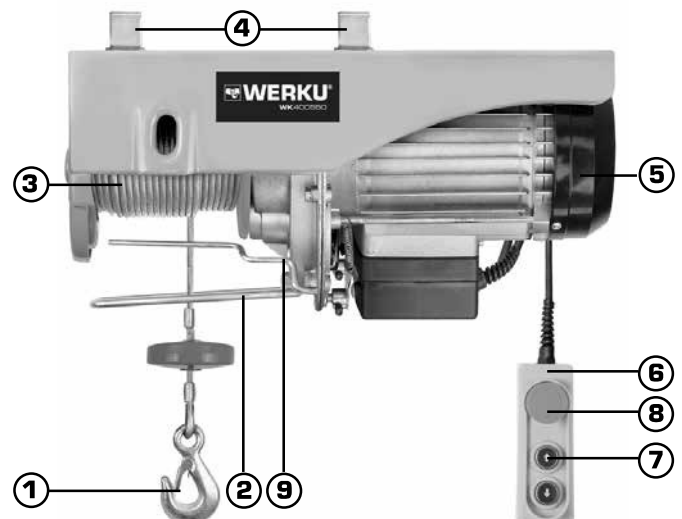
▶ Do not leave the hoist operating without having it firmly fixed ▶ Only turn it on when you are sure you have full control over it ▶ Do not point the hoist at anyone while in use ▶ When operating the hoist will produce vibrations ▶ The screws may gradually come loose, and possibly cause faults or accidents ▶ Keep your hands away from all moving parts of the hoist.

AT FINISH WORKING.

▶ Do not touch the possible accessories installed in the hoist after use ▶ It may be hot and cause burns ▶ Some materials worked with may contain chemicals or toxic components ▶ Avoid inhaling these substances or allowing them to come into contact with your skin ▶ Use PPE designed to prevent and protect against incidents of this kind.

DESCRIPTION OF THE PRODUCT.

▶ The hoist has been designed to carry out jobs of vertical elevation ▶ Refer to this plan to familiarize yourself with the hoist before use.



1. Hook.
2. End race lever.
3. Cable.
4. Supports.
5. Motor.
6. Control.
7. Switch.
8. Safety button.
9. Download limit device.

USE INSTRUCTIONS.

► Before starting up the hoist, we recommend that you carefully read all of the instructions as indicated ► Please respect all regulations regarding the prevention of accidents, health and safety directives, laws and applicable restrictions for work places ► The hoist must only be used by persons who have been instructed in its use and only for the purposes for which it has been designed.

POWER SUPPLY.

► Make sure the power supply is adapted to the requirements shown on the information panel of the hoist (1) ► Using the motor at low voltage will make it operate slowly ► This will reduce performance and may cause the motor to overheat.

EXTENSION CORD.

► If the working area is at some distance from the power supply, use an extension cord of enough diameter and quality.

EARTH CONNECTION.

► The hoist must be connected to earth while being used to protect the operator from possible electrical shocks.

OPERATION.

► Before starting the work, make sure that the steel cable is correctly winded around the reel (2).

CAUTION.

► Check that the hoist is levelled for proper cable winding ► If the hoist is not levelled, the cable will get wrapped and damaged ► Drive the switch of the control (3) ► In case the hoist cannot hoist a load, do not keep pressing the switch, this means that the load exceeds the hoist maximum capacity ► Observe the maximum load indicated in the information panel of the hoist, not on the hook (4).

WARNING.

► If the hoist is subjected to an excessive effort, it has a thermal protection system that stops the engine to prevent burning ► In this case you should allow to cool 10 to 20 minutes before using it again ► If the hoist stops during the lowering of a load, it is normal that the load goes down a few centimeters more because of inertia ► Leave at least three turns of cable around the reel, so that the cable connection is not under stress (5) ► If the steel cable is worn out, it must be replaced only with a cable of same features.

SIMPLE CABLE SYSTEM.

► In this modality of use the weight of the load rests on a single cable ► The load enlists directly to the cable of the hoist and it rises with normality (6) ► Using this way of use, the hoist has capacity to at the most elevate half of its rated load ► In this type of use, it is available the total of the length of the cable of the coil to elevate as limit half of the fully factored load of the hoist.

FORWARD SYSTEM.

► The way of which the hoist can elevate the total of its rated load is using the forward system ► In this modality of use the weight of the load rests on two cables ► For it, it removes sufficient cable from the coil and fixes the hook to the orifice located in the frontal part of the housing of the hoist (7) ► This way, the load to the high being has two support points, by a side the own cable coil and on the other hand the hook fixed on the housing ► Place on the cable the provided pulley (8) ► This pulley will be the hold point of the load in the forward system ► Remember that to elevate the total of rated load of the hoist the forward system has to be used necessarily ► In this type of use, it is available half of the length of the cable of the coil to elevate as limit the total of the fully factored load of the hoist.

FIXATION TO A SUPPORT.

► The hoist has four orifices in the upper part of the housing (9) ► You can use these four orifices like anchorage points if it is going to fix the hoist to a metallic plate or something similar using the screws provided for it ► In the same way, two clips are provided to fix them to the housing of the hoist and by the way fix it safely to a suitable support (10) ► It is extremely important verifying that all the screws are perfectly tightened and that the fixation is completely safe.

UPLOAD LIMIT DEVICE.

- ▶ The hoist is designed to be used only in vertical elevation and never to elevate people or animals
- ▶ It is fitted with a end race lever which function is to make stop the motor of the hoist once the load has been elevated to its maximum height (11)
- ▶ Never modify or retire this lever for safety.

DOWNLOAD LIMIT DEVICE.

- ▶ The hoist is equipped with a safety device that will avoid an excessive unrolling of the cable in the download process
- ▶ When two cable turns left in the reel a limit switch will be activated and stop the motor to avoid risk of accidents.

MAINTENANCE.

- ▶ The hoist has been designed for a long working life with minimum maintenance
- ▶ Optimum use depends on correct care of the hoist and regular cleaning
- ▶ To prevent accidents, always unplug the hoist from the power source before cleaning or performing any maintenance
- ▶ The hoist may be cleaned effectively using compressed air after each use
- ▶ If compressed air is not available, use a brush to remove dust from the hoist
- ▶ Motor ventilation vents and switch levers must be kept clean and free of foreign matter
- ▶ Do not attempt to clean by inserting pointed objects through openings
- ▶ Certain cleaning agents and solvents damage plastic parts, among them are gasoline, carbon tetrachloride, chlorinated cleaning solvents, ammonia and household cleaners containing ammonia
- ▶ Do not use any of these to clean the hoist
- ▶ Should excessive sparking occur, have a Werku® official repair service exam and/or replace the carbon brushes.

FREQUENT VERIFICATIONS.

- ▶ Periodically check that the steel cable is in good conditions, it may not be worn away nor damaged (12)
- ▶ Check the conditions and tightening of the nuts securing the hoist clamps (13)
- ▶ Periodically check that motor stop emergency switch and the operation switch are in good operating conditions (14).

THERMAL PROTECTION.

- ▶ This hoist disposes of a thermal protection against overloads of work or electrical tension
- ▶ When working continuously the motor during minutes, the heat screen will automatically make it stop in order avoid failures
- ▶ After minutes of rest, the motor will work again (75-25%).

ENVIRONMENT PROTECTION.

- ▶ The materials and components that have been used to manufacture this product can be re-used and recycled
- ▶ Werku® is adhered to an Integrated Management System that is in charge of the correct elimination of the residues of this product
- ▶ Do not eliminate this product with domestic residues
- ▶ Werku® offers to its clients a free collection service of these residues through any of its sale points, or in the collection points established by the Integrated Management System or in the recycling point of your locality.

WARRANTY AND TECHNICAL SERVICE.

- ▶ Apart from the legal guarantee, Werku® offers an additional commercial guarantee
- ▶ This commercial guarantee covers the repair of all defects found due to faults in the materials or manufacture
- ▶ For this cover to be effective it is necessary for these defects to appear within the validity period
- ▶ The consumer is entitled to free repair of all defects that Werku® recognises as included in the commercial guarantee (shipping costs, labour costs and materials included) as chosen by Werku®, either via the repair or by replacement (if necessary with a later model)
- ▶ This commercial guarantee does not affect consumer's rights established by law according to Directive 1999/44/CE
- ▶ This commercial guarantee is valid for 24 months
- ▶ If this product is destined for professional or industrial use, the validity period is 12 months
- ▶ The validity period starts on the date of purchase by the first consumer
- ▶ This date is shown on the invoice or receipt of purchase
- ▶ Actions for claims against this commercial guarantee expire six months from the end of the validity period
- ▶ Any claims arising from this commercial guarantee must be presented to the distributor or the Technical Assistance Service
- ▶ To do so you must present this guarantee correctly completed and stamped by the distributor, together with the sale invoice or receipt
- ▶ In order to require any information in relation to this commercial guarantee, the buyer and/or distributor may contact the Technical Assistance Service by telephone on +34 981 648 119, or by e-mail at info@werku.com
- ▶ This commercial guarantee does not cover defects caused by parts that have worn out from use
- ▶ Other types of natural wear, defects caused by failure to observe the instructions for use and

operation, or for applications other than those for which this product is intended, abnormal environmental factors, overloading, or unsuitable maintenance or cleaning, faults caused by the use of spare parts, accessories or replacements that are not original Werku® parts, if the product has been totally or partially disassembled, modified or repaired by personnel other than that of the Technical Assistance Service or minimum and irrelevant irregularities for suitable use or operation ▶ Repairs and replacements will not extend or renew the validity period of this commercial guarantee ▶ The replaced parts will become the property of Werku® ▶ If the buyer sends the product to the Technical Assistance Service, and it fails to comply with the conditions of this commercial guarantee, all expenses and transportation risks shall be paid by the buyer ▶ This commercial guarantee is only valid within the territory of the European Union ▶ The company responsible for the compliance of this Werku® commercial guarantee is Werku Tools SA.

TECHNICAL ADVICE.

▶ The technical department of Werku® is at your disposal to resolve any questions you may have regarding to its products ▶ If you wish to contact our team, send an e-mail to info@werku.com.

DECLARACIÓN CONFORMIDAD CE.

► Werku® declara que el polipasto **WK400550** cumple las Directivas y Normativas Europeas 2006/42/CE, 2014/30/EU, EN 14492-2:2006+A1, EN 60204-32:2008, EN 55014-1:2017, EN 55014-2:2015, EN 61000-3-2:2019 y EN 61000-3-3:2013.

La Coruña, 01/12/2020

R Yáñez

Werku Tools SA

CARACTERÍSTICAS TÉCNICAS.

► Voltaje-frecuencia 230V~50Hz ► Potencia 1600W ► Clase I ► Índice de protección IP54
► Revoluciones 2500 min⁻¹ ► Capacidad elevación 500-1000 kg ► Velocidad elevación 8-4 mpm
► Altura elevación 22-11 m ► Resistencia cable ≥ 2500 kg ► Largo cable 22 m ► Diámetro cable 5.6 mm ► Peso neto 31 kg ► Presión acústica LpA ≤ 70 dB(A) ► Posible variación KpA 3.0 dB(A)
► Presión acústica LwA ≤ 80 dB(A) ► Posible variación KwA 3.0 dB(A) ► Vibración Aw ≤ 2.5 m/s² ► Posible variación K 1.5 m/s².

INSTRUCCIONES DE SEGURIDAD.

► Lea todas las advertencias de seguridad y todas las instrucciones ► La no observación de todas las advertencias e instrucciones relacionadas a continuación puede dar como resultado un choque eléctrico, fuego y/o una lesión seria ► Guarde todas las advertencias y todas las instrucciones para una referencia futura ► Los accidentes podrán evitarse en muchos casos dándose cuenta de una situación peligrosa antes de que se produzca, y observando fielmente los procedimientos de seguridad apropiados
► No utilice nunca este polipasto para aplicaciones que no sean las especificadas en este manual.

SEGURIDAD DEL AREA DE TRABAJO.

► Mantenga el área de trabajo limpia y bien iluminada ► Las áreas desordenadas y oscuras provocan accidentes ► No maneje herramientas eléctricas en atmósferas explosivas, tales como en presencia de líquidos, gases o polvos inflamables
► Mantenga alejados a los niños y curiosos mientras maneja una herramienta eléctrica ► Las distracciones pueden causarle la pérdida del control.

SEGURIDAD PERSONAL

► Esté alerta, vigile lo que está haciendo y use el sentido común cuando maneje una herramienta eléctrica ► No use una herramienta eléctrica

cuando esté cansado o bajo la influencia de drogas, alcohol o medicamentos ► Un momento de distracción mientras maneja herramientas eléctricas puede causar un daño personal serio.

USE EPIS.

► Use gafas de protección según EN166 ► Use mascarilla de protección según EN149 ► Si el tipo de trabajo a realizar lo requiere, utilice otros EPIS precisos.

NO TRABAJE DE PUNTILLAS.

► Mantenga los pies bien asentados sobre el suelo y conserve el equilibrio en todo momento
► Esto permite un mejor control de la herramienta eléctrica en situaciones inesperadas.

VISTA ADECUADAMENTE.

► No vista ropa suelta o joyas ► Mantenga su pelo, su ropa y guantes alejados de las piezas en movimiento ► La ropa suelta, las joyas o el pelo largo pueden ser cogidos en las piezas en movimiento ► Si hay dispositivos para la conexión de medios de extracción y recogida de polvo, asegúrese de que éstos estén conectados y se usen correctamente ► El uso de estos dispositivos puede reducir los riesgos relacionados con el polvo.

SEGURIDAD ELÉCTRICA.

► La clavija de la herramienta eléctrica debe coincidir con la base de la toma de corriente ► No modificar nunca la clavija de ninguna manera
► No usar ningún adaptador de clavijas con herramientas eléctricas puestas a tierra ► Clavijas no modificadas y bases coincidentes reducirán el riesgo de choque eléctrico ► Evite el contacto del cuerpo con superficies puestas a tierra como tuberías, radiadores, cocinas eléctricas y refrigeradores ► Hay un riesgo aumentado de choque eléctrico si su cuerpo está puesto a tierra
► No exponga las herramientas eléctricas a la lluvia o a condiciones de humedad ► El agua que entre en la herramienta eléctrica aumentará el riesgo de choque eléctrico.

NO ABUSE DEL CABLE.

► No usar nunca el cable para llevar, levantar o desenchufar la herramienta eléctrica ► Mantenga el cable lejos del calor, aceite, cantos vivos o piezas en movimiento ► Los cables dañados o enredados aumentan el riesgo de choque eléctrico
► Cuando maneje una herramienta eléctrica

en el exterior, use una prolongación de cable adecuada para uso en el exterior ► El uso de una prolongación de cable adecuada para uso en el exterior reduce el riesgo de choque eléctrico ► Si el uso de una herramienta eléctrica en un lugar húmedo es inevitable, use una alimentación protegida por un dispositivo de corriente residual (RCD) ► El uso de un RCD reduce el riesgo de choque eléctrico.

EVITE UN ARRANQUE ACCIDENTAL.

► Asegúrese de que el interruptor está en posición "off" antes de conectar a la red, o al coger o transportar la herramienta eléctrica ► Transportar herramientas eléctricas con el dedo sobre el interruptor o enchufar herramientas eléctricas que tienen el interruptor en posición "on" invita a accidentes ► Retire llaves o herramientas antes de arrancar la herramienta eléctrica ► Una llave o herramienta dejada unida a una pieza rotativa de una herramienta eléctrica puede causar un daño personal.

UTILIZACIÓN Y CUIDADOS DE LAS HERRAMIENTAS ELÉCTRICAS.

► No fuerce la herramienta eléctrica ► Use la herramienta eléctrica correcta para su aplicación ► La herramienta eléctrica correcta hará el trabajo mejor y más seguro al ritmo para la que fue concebida ► No use la herramienta eléctrica si el interruptor no se puede posicionar en "off" y "on" ► Cualquier herramienta eléctrica que no pueda controlarse con el interruptor es peligrosa y debe repararse ► Desenchufe la clavija de la fuente de alimentación y/o de la batería antes de efectuar cualquier ajuste, cambio de accesorios, o de almacenar las herramientas eléctricas ► Tales medidas preventivas de seguridad reducen el riesgo de arrancar la herramienta accidentalmente.

ALMACENE LAS HERRAMIENTAS ELÉCTRICAS.

► Almacene las herramientas eléctricas inactivas fuera del alcance de los niños y no permita el manejo de la herramienta a personas no familiarizadas con las herramientas eléctricas o con estas instrucciones ► Las herramientas eléctricas son peligrosas en manos de usuarios no entrenados.

MANTENIMIENTO.

► Compruebe que las partes móviles no estén desalineadas o trabadas, que no haya piezas rotas u otras condiciones que puedan afectar el funcionamiento de las herramientas eléctricas

► Las herramientas eléctricas se reparan antes de su uso, cuando están dañadas ► Muchos accidentes son causados por herramientas eléctricas pobremente mantenidas ► Use la herramienta eléctrica y accesorios de acuerdo con estas instrucciones y de la manera prevista para el tipo particular de herramientas eléctricas, teniendo en cuenta las condiciones de trabajo y el trabajo a desarrollar ► El uso de herramientas eléctricas para aplicaciones diferentes de las previstas podría causar una situación de peligro ► Haga revisar su herramienta eléctrica por un servicio oficial de reparación Werku® usando solamente piezas de recambio idénticas ► Esto garantizará que la seguridad de la herramienta eléctrica se mantiene.

VIGILE EL BUEN ESTADO DEL POLIPASTO.

► Revise que todos los tornillos del polipasto estén perfectamente apretados ► En climas fríos o cuando el polipasto haya estado sin uso durante largo tiempo, deje que el polipasto se caliente un poco haciéndolo funcionar en vacío unos minutos para permitir una perfecta lubricación de los componentes internos ► Asegúrese de que los posibles accesorios instalados están perfectamente asentados en su posición.

ANTES DE EMPEZAR A TRABAJAR.

► Asegúrese siempre antes de utilizar el polipasto que se encuentra firmemente apoyado ► Compruebe que nadie se encuentra bajo la zona de influencia del polipasto cuando lleve a cabo trabajos en zonas elevadas ► Aleje las manos de las partes en movimiento del polipasto.

DURANTE EL FUNCIONAMIENTO.

► No deje el polipasto funcionando sin tenerlo bien sujeto ► Hágalo funcionar cuando esté seguro de que lo tiene plenamente controlado ► No apunte con el polipasto a nadie durante su funcionamiento ► Durante la operación, el polipasto puede producir vibración ► Los tornillos pueden ir aflojándose progresivamente pudiendo causar una avería o accidente ► Aleje las manos de las partes en movimiento del polipasto.

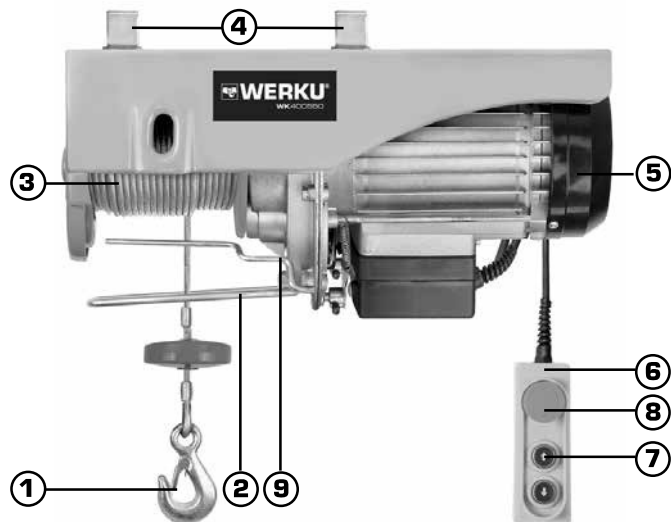
AL TERMINAR DE TRABAJAR.

► No toque los accesorios instalados en el polipasto tras su uso ► Pueden estar muy calientes y causar una quemadura ► Algunos materiales sobre los que se trabaja pueden contener químicos o componentes que pueden ser tóxicos ► Tenga cuidado para prevenir la

inhalación de estas sustancias o el contacto con la piel ► Utilice los EPIs diseñados para prevenir y protegerse de dichas incidencias.

DESCRIPCIÓN DEL PRODUCTO.

► El polipasto se ha diseñado para realizar trabajos de elevación vertical ► Observe este esquema para familiarizarse con el polipasto antes de utilizarlo.



1. Gancho.
2. Palanca fin carrera.
3. Cable.
4. Soportes.
5. Motor.
6. Mando.
7. Interruptor.
8. Botón seguridad.
9. Dispositivo limitador bajada.

INSTRUCCIONES DE USO.

► Antes de efectuar la puesta en marcha del polipasto, es aconsejable leer completa y minuciosamente todas las instrucciones que se indican ► Asimismo, deberán tenerse en cuenta las normas para la prevención de accidentes, los reglamentos y directivas, las leyes y restricciones vigentes para los centros de trabajo ► El polipasto debe de ser utilizado únicamente por personas instruidas adecuadamente en su manejo y exclusivamente conforme a los fines previstos.

FUENTE DE ALIMENTACIÓN.

► Asegúrese de que la fuente de alimentación se ajusta a los requisitos especificados en la placa de datos del polipasto (1) ► Hacer funcionar el motor a bajo voltaje hará que éste opere lento ► Esto

reducirá el rendimiento y puede causar que el motor se sobrecaliente.

CABLE DE PROLONGACIÓN.

► Cuando la zona de trabajo esté alejada de la fuente de alimentación, haga uso de un cable de prolongación de suficiente diámetro y calidad.

TOMA DE TIERRA.

► El polipasto deberá estar conectado a tierra mientras está siendo utilizado para proteger al operario de posibles descargas eléctricas.

FUNCIONAMIENTO.

► Antes de empezar a trabajar con el polipasto, asegúrese que el cable metálico está enrollado correctamente (2).

IMPORTANTE,

► Compruebe que el polipasto está bien nivelado para un enrollamiento correcto del cable ► Si el polipasto no está bien nivelado el cable se enrollará mal y será dañado ► Accione el interruptor del mando (3) ► Si el polipasto no levanta un peso determinado, no siga pulsando el botón, pues esto indica que el peso excede la capacidad máxima de levantamiento ► Observe la carga máxima admitida indicada en la placa identificativa del polipasto, no en el gancho (4).

ATENCIÓN.

► Si el polipasto se somete a un esfuerzo excesivo, este tiene un sistema de protección térmica que detiene el motor para evitar que se queme ► En ese caso debe dejarlo enfriar entre 10 y 20 minutos antes de volver a utilizarlo ► Es normal que cuando se pare el polipasto mientras se está bajando una carga, ésta baje unos centímetros más debido a la fuerza de la inercia ► Guarde por lo menos tres vueltas de cable en el rollo para no forzar la conexión del cable (5) ► Si el cable está desgastado hay que reemplazarlo por otro de las mismas características.

SISTEMA CABLE SIMPLE.

► En esta modalidad de uso el peso de la carga descansa sobre un solo cable ► La carga se engancha directamente al cable del polipasto y se eleva con normalidad (6) ► Utilizando este modo de uso, el polipasto tiene capacidad para elevar como máximo la mitad de su carga nominal ► En este tipo de uso, se dispone del total de la longitud

del cable de la bobina para elevar como límite la mitad de la carga máxima del polipasto.

SISTEMA DE REENVÍO.

► El modo de que el polipasto pueda elevar el total de su carga nominal es utilizando el sistema de reenvío ► En esta modalidad de uso el peso de la carga descansa sobre dos cables ► Para ello, saque cable suficiente de la bobina y fije el gancho en el orificio localizado en la parte frontal de la carcasa del polipasto (7) ► De este modo, la carga al ser elevada dispone de dos puntos de apoyo, por un lado la propia bobina de cable y por otro lado el gancho fijado sobre la carcasa ► Coloque sobre el cable la polea suministrada (8) ► Esta polea será el punto de enganche de la carga en el sistema de reenvío ► Recuerde que para elevar el total de carga nominal del polipasto ha de utilizarse necesariamente el sistema de reenvío ► En este tipo de uso, se dispone de la mitad de la longitud del cable de la bobina para elevar como límite el total de la carga máxima del polipasto.

FIJACIÓN A UN SOPORTE.

► El polipasto dispone de cuatro orificios en la parte superior de la carcasa (9) ► Puede utilizar estos cuatro orificios como puntos de anclaje si va a fijar el polipasto en una chapa metálica o algo similar usando los tornillos suministrados para ello ► Del mismo modo, se suministran dos abrazaderas para fijarlas a la carcasa del polipasto y de esta forma fijarlo a un soporte preparado a tal efecto de un modo seguro (10) ► Es extremadamente importante que se asegure de que tanto de un modo como de otro, los tornillos están perfectamente apretados en su totalidad y que la fijación es completamente segura.

DISPOSITIVO LIMITADOR SUBIDA.

► El polipasto está diseñado para ser utilizado únicamente en elevación vertical y nunca para elevar personas o animales ► Dispone de una palanca de fin de carrera cuya función es hacer parar el motor del polipasto una vez que la carga ha sido elevada a su máxima altura (11) ► En ningún caso modifique ni retire dicha palanca por cuestiones de seguridad.

DISPOSITIVO LIMITADOR BAJADA.

► El polipasto está equipado con un dispositivo de seguridad que en el proceso de bajada de

carga evitará un desenrollamiento excesivo del cable ► Cuando en la bobina queden dos vueltas de cable se activará un interruptor limitador que detendrá el motor evitando así riesgo de accidentes.

MANTENIMIENTO.

► El polipasto ha sido diseñado para funcionar durante mucho tiempo con un mínimo mantenimiento ► El funcionamiento óptimo depende del buen cuidado del polipasto y de una limpieza frecuente ► Para evitar accidentes, desconecte siempre el polipasto de la fuente de alimentación antes de efectuar la limpieza o cualquier mantenimiento del mismo ► El polipasto debe limpiarse de manera eficaz utilizando aire comprimido al final de cada uso ► Utilice siempre gafas protectoras cuando trabaje con aire comprimido ► Si no puede utilizar aire comprimido, retire el polvo del polipasto sirviéndose de un cepillo ► Las ranuras de ventilación del motor y los interruptores deben estar siempre limpios y sin ninguna clase de residuo ► No intente limpiarlos introduciendo objetos puntiagudos a través de las aberturas ► Algunos productos de limpieza y disolventes dañan los componentes de plástico, entre los cuales se encuentran la gasolina, el tetraclorometano, los disolventes de limpieza clorados, el amoníaco y los productos de limpieza domésticos que contienen amoníaco ► No utilice ninguno de los productos mencionados para limpiar el polipasto ► En el caso de que se produzcan chispas de modo excesivo, haga que el servicio oficial de reparación Werku® le revise y/o reemplace las escobillas.

COMPROBACIONES FRECUENTES.

► Compruebe periódicamente el buen estado del cable de acero, no debe estar desgastado ni dañado (12) ► Compruebe las condiciones y el apretado de las tuercas en las abrazaderas de sujeción del polipasto (13) ► Compruebe periódicamente el buen funcionamiento del interruptor de parada de emergencia y del interruptor del mando (14).

PROTECCIÓN TÉRMICA.

► El polipasto dispone de una protección térmica contra sobrecargas de trabajo o de tensión

eléctrica ▶ Al funcionar continuamente el motor durante unos minutos, la protección térmica lo hará parar automáticamente a fin de evitar averías ▶ Después de unos minutos de descanso, el motor funcionará de nuevo (75-25%).

PROTECCIÓN DEL MEDIO AMBIENTE.

▶ Los materiales y componentes que han sido utilizados para fabricar este producto pueden ser reutilizados y reciclados ▶ Werku® está adherido a un Sistema Integrado de Gestión que se encarga de la correcta eliminación de los residuos de este producto ▶ No elimine este producto en la basura doméstica ▶ Werku® ofrece a sus clientes un servicio gratuito de retirada de dichos residuos en cualquiera de sus puntos de venta, en los puntos de recogida establecidos por el Sistema Integrado de Gestión o en los puntos limpios de su localidad.

GARANTÍA Y SERVICIO TÉCNICO.

▶ Además de la garantía legal, Werku® ofrece una garantía comercial adicional ▶ Esta garantía comercial cubre la reparación de los defectos que se aprecian debido a fallos en los materiales o en la fabricación ▶ Para ello es imprescindible que los defectos se produzcan dentro del periodo de validez ▶ El consumidor tiene derecho a la reparación gratuita de los defectos que Werku® reconoce como incluidos en la garantía comercial (gastos de envío, mano de obra y materiales incluidos), a elección de Werku®, bien mediante la reparación o mediante la sustitución (si es necesario por un modelo posterior) ▶ Esta garantía comercial no afecta los derechos del consumidor establecidos por ley según la Directiva 1999/44/CE ▶ El periodo de validez de esta garantía comercial es de 24 meses ▶ En caso de destinar el producto a un uso profesional o industrial, el periodo de validez es de 12 meses ▶ El periodo de validez se inicia en la fecha de compra por el primer consumidor ▶ Esta fecha se refleja en la factura o ticket de compra ▶ La acción para reclamar el cumplimiento de esta garantía comercial prescribe a los seis meses desde la finalización del periodo de validez ▶ La reclamación en virtud de esta garantía comercial debe de presentarse al distribuidor o al Servicio de Asistencia Técnica

▶ Para ello es imprescindible presentar esta garantía debidamente cumplimentada y sellada por el distribuidor, junto con la factura o ticket de compra ▶ Para cualquier información referente a esta garantía comercial el comprador y/o el distribuidor puede ponerse en contacto con el Servicio de Asistencia Técnica a través del teléfono +34 981 648 119, o mediante correo electrónico a info@werku.com ▶ Quedan excluido de esta garantía comercial los defectos que han sido causados por piezas desgastadas por el uso u otro tipo de desgaste natural, los defectos que han sido causados por inobservancia o incumplimiento de las instrucciones de uso y funcionamiento, o de aplicaciones no conformes con el uso al que se destina este producto, o de factores medioambientales anormales, o de sobrecarga, de mantenimiento o limpieza inadecuados, defectos que han sido causados por el uso de accesorios, complementos o repuestos que no son piezas originales Werku®, si el producto ha sido total o parcialmente desmontado, modificado o reparado por personal ajeno al Servicio de Asistencia Técnica o las irregularidades mínimas e irrelevantes para el uso y funcionamiento adecuado ▶ Las reparaciones y sustituciones no prolongan ni renuevan el plazo de validez de esta garantía comercial ▶ Las piezas sustituidas pasan a ser propiedad de Werku® ▶ Si el comprador remite el producto al Servicio de Asistencia Técnica, no cumpliendo con las condiciones de esta garantía comercial, los gastos y riesgos del transporte corren a cargo del comprador ▶ Esta garantía comercial es válida dentro del territorio de la Unión Europea ▶ La empresa responsable del cumplimiento de esta garantía comercial Werku® es Werku Tools SA.

ASESORAMIENTO TÉCNICO.

▶ Werku® pone a su disposición su departamento técnico para resolver cualquier duda que pueda surgir sobre sus productos ▶ En caso de que desee establecer contacto con nuestro equipo, remita un correo electrónico a la dirección info@werku.com.

CE KONFORMITÄTSERKLÄRUNG.

► Werku® erklärt dass die **WK400550** Hebezeug in Übereinstimmung ist mit den europäischen Richtlinien und Normen 2006/42/CE, 2014/30/EU, EN 14492-2:2006+A1, EN 60204-32:2008, EN 55014-1:2017, EN 55014-2:2015, EN 61000-3-2:2019 und EN 61000-3-3:2013.

La Coruña, 01/12/2020

R Yáñez

Werku Tools SA

TECHNISCHE DATEN.

► Spannung-Frequenz 230V~50Hz ► Leistung 1600W ► Klasse I ► Schutzindex IP54
► Umdrehungen 2500 min⁻¹ ► Hubkapazität 500-1000 kg ► Hubgeschwindigkeit 8-4 mpm
► Hubhöhe 22-11 m ► Kabelwiderstand \geq 2500 kg ► Kabellänge 22 m ► Kabeldurchmesser 5.6 mm ► Nettogewicht 31 kg ► Schalldruck LpA \leq 70 dB(A) ► Mögliche Abweichung KpA 3.0 dB(A)
► Schallleistung LwA \leq 80 dB(A) ► Mögliche Abweichung KwA 3.0 dB(A) ► Vibration Aw \leq 2.5 m/s² ► Mögliche Abweichung K 1.5 m/s².

SICHERHEITSHINWEISE

► Lesen Sie alle Sicherheitshinweise und die gesamte Gebrauchsanleitung ► Die Nichteinhaltung aller im Folgenden aufgeführten Sicherheitshinweise und der Gebrauchsanleitung kann zum Elektroschock, Brand und/oder schweren Verletzungen führen ► Heben Sie alle Sicherheitshinweise und die gesamte Gebrauchsanleitung zum späteren Nachlesen auf ► Unfälle können häufig vermieden werden, wenn man sich im Voraus der Gefährlichkeit einer Situation bewusst ist und die angemessenen Sicherheitsverfahren hundertprozentig einhält ► Verwenden Sie diese Hebezeug niemals zu anderen Zwecken, als zu den in dieser Anleitung aufgeführten.

EIN SICHERER ARBEITSPLATZ.

► Der Arbeitsplatz muss sauber und gut beleuchtet sein ► Unordentliche und dunkle Stellen verursachen Unfälle ► Verwenden Sie elektrisches Werkzeug niemals in einer explosionsfähigen Atmosphäre, wie in der Nähe von brennbaren Flüssigkeiten, Gasen und Stäuben ► Wenn Sie mit einem elektrisch gereedschap arbeiten, müssen

Kinder und Neugierige fern bleiben ► Ablenkungen können dazu führen, dass Sie die Kontrolle über das Werkzeug verlieren.

PERSÖNLICHE SICHERHEIT.

► Seien Sie aufmerksam, achten Sie auf das, was Sie gerade tun und setzen Sie Ihren gesunden Menschenverstand ein, wenn Sie mit einem elektrisch gereedschap arbeiten ► Verwenden Sie kein elektrisches Werkzeug, wenn Sie müde sind oder unter dem Einfluss von Drogen, Alkohol oder Medikamenten stehen ► Ein Augenblick, in dem Sie abgelenkt sind, während Sie mit einem elektrisch gereedschap arbeiten, kann zu schweren Personenschäden führen.

PSA VERWENDEN.

► Tragen Sie eine Schutzbrille gemäß der Norm EN166 ► Tragen Sie eine Schutzmaske gemäß der Norm EN149 ► Falls die Art der Arbeit, die Sie ausführen, dies erforderlich macht, verwenden Sie eine angemessene PSA.

NICHT AUF ZEHENSPITZEN STEHEND ARBEITEN.

► Stehen Sie mit den Füßen fest auf dem Boden und achten Sie darauf, das Gleichgewicht nicht zu verlieren ► So kontrollieren Sie in unvorhergesehenen Situationen das elektrische Werkzeug besser.

ANGEMESSENE KLEIDUNG.

► Tragen Sie weder lockere Kleidung noch Schmuck ► Halten Sie Haare, Kleidung und Handschuhe von beweglichen Teilen fern ► Lockere Kleidung, Schmuck und lange Haare können von den beweglichen Teilen eingeklemmt werden ► Falls Anschlüsse für Entstaubungsvorrichtungen vorhanden sind, gewährleisten Sie, dass diese korrekt angeschlossen sind und richtig verwendet werden ► Die Verwendung dieser Geräte kann Risiken im Zusammenhang mit Staub verringern.

ELEKTRISCHE SICHERHEIT.

► Der Gerätestecker muss für die vorgesehen Steckdose geeignet sein ► Nehmen Sie keine Veränderungen am Stecker vor ► Verwenden Sie keinen Steckeradapter in Verbindung mit geerdeten Elektrowerkzeugen ► Originale Stecker und geeignete Steckdosen verhindern die Stromschlaggefahr ► Vermeiden Sie jeden Körperkontakt mit geerdeten Flächen (z.B.

Rohre, Heizkörper, Herde oder Kühlschränke)
► Es besteht erhöhte Stromschlaggefahr, wenn ihr Körper geerdet ist ► Setzen Sie Elektrowerkzeuge weder Regen noch Feuchtigkeit aus ► Eindringendes Wasser erhöht die Stromschlaggefahr.

KEIN KABELMISSBRAUCH.

► Benutzen Sie das Kabel nie, um das Elektrowerkzeug zu tragen, zu ziehen oder von der Steckdose abzutrennen
► Halten Sie das Kabel fern von Hitze, Öl, scharfen Kanten oder beweglichen Teilen
► Beschädigte oder verwickelte Kabel bergen ein erhöhtes Stromschlagrisiko ► Falls Sie ein Elektrowerkzeug im Freien benutzen, müssen Sie ein entsprechend geeignetes Verlängerungskabel verwenden ► Bei Verwendung eines für Außeneinsätze geeigneten Verlängerungskabels besteht eine geringere Stromschlaggefahr ► Sollte der Einsatz eines Werkzeugs in einer feuchten Umgebung unvermeidlich sein, verwenden Sie eine Fehlerstromschutzeinrichtung ► Eine solche Schutzeinrichtung senkt die Stromschlaggefahr.

VERMEIDEN SIE EINEN VERSEHENTLICHEN START.

► Achten Sie darauf, dass sich der Schalter in der Aus-Stellung befindet, bevor Sie das Gerät an die Stromversorgung anschließen oder es hochheben oder tragen ► Es besteht Verletzungsgefahr, wenn Elektrowerkzeuge mit dem Finger am Startschalter getragen oder im eingeschalteten Zustand an der Stromversorgung angeschlossen werden ► Entfernen Sie Justier- oder Schraubenschlüssel, bevor Sie das Elektrowerkzeug einschalten ► Es besteht Verletzungsgefahr, wenn ein Einstell- oder Schraubenschlüssel an einem sich drehenden Teil des Elektrowerkzeugs verbleibt.

BENUTZUNG UND PFLEGEN VON ELEKTROWERKZEUGEN.

► Wenden Sie bei der Benutzung des Elektrowerkzeugs keine Gewalt an
► Verwenden Sie ein für den jeweiligen Zweck geeignetes Elektrowerkzeug ► Ein geeignetes Elektrowerkzeug verrichtet die Arbeit besser und sicherer ► Benutzen Sie das Elektrowerkzeug nicht, wenn es sich mit dem Schalter nicht ein- und ausschalten lässt. ► Ein Elektrowerkzeug, das sich nicht mehr mit dem Schalter kontrollieren lässt, ist gefährlich und muss repariert werden
► Ziehen Sie den Netzstecker und/oder entfernen Sie den Netzakku, bevor Sie Einstellungen

vornehmen, Zubehör wechseln oder das Gerät lagern ► Solche Vorsichtsmaßnahmen verringern das Risiko eines versehentlichen Gerätstarts.

AUFBEWAHRUNG VON WERKZEUG MIT DRUCKLUFT.

► Bewahren Sie die abgeschaltete Hebezeug außerhalb der Reichweite von Kindern und Personen, die mit elektrisch gereedschappen und dieser Gebrauchsanleitung nicht vertraut sind, auf ► Elektrisches Werkzeug sind in den Händen ungeübter Benutzer gefährlich.

WARTUNG.

► Stellen Sie sicher, dass die beweglichen Teile nicht falsch ausgerichtet oder verklemmt sind, dass es keine defekten Teile oder andere Bedingungen gibt, die das Funktionieren elektrisches Werkzeug beeinträchtigen könnten ► Wenn ein elektrisches Werkzeug beschädigt ist, muss es vor seiner Verwendung repariert werden ► Viele Unfälle werden von schlecht gewarteten elektrisch gereedschappen verursacht ► Benutzen Sie das elektrische Werkzeug sowie dessen Zubehör gemäß dieser Gebrauchsanleitung und so, wie es für den jeweiligen Werkzeugtyp vorgesehen ist. Berücksichtigen Sie die Arbeitsbedingungen und die Art der auszuführenden Arbeit ► Eine zweckfremde Verwendung des elektrisches Werkzeug kann gefährlich sein ► Lassen Sie Ihr elektrisches Werkzeug von einem qualifizierten Reparaturdienst von Werku® überprüfen und verwenden Sie nur Originalersatzteile ► Das garantiert eine dauerhafte Sicherheit Ihres elektrisches Werkzeug.

ÜBERWACHUNG DES ZUSTANDS DER HEBEZEUG.

► Prüfen Sie, ob alle Schrauben der Hebezeug fest angezogen sind ► Bei kaltem Wetter oder wenn die Hebezeug längere Zeit nicht benutzt worden ist, erwärmen Sie die Hebezeug eine Weile, indem Sie sie einige Minuten lang leer laufen lassen. Das verbessert die Schmierung der internen Bauteile ► Gewährleisten Sie, dass möglicherweise montiertes Zubehör fest an seiner Stelle sitzt.

VOR ARBEITSBEGINN.

► Vor Verwendung der Hebezeug stellen Sie sicher, dass diese fest aufliegt ► Achten Sie darauf, dass sich niemand unterhalb des Einflussbereiches der Hebezeug befindet, wenn Sie in der Höhe arbeiten ► Halten Sie die Hände fern von den beweglichen Teilen der Hebezeug.

BEI BETRIEB.

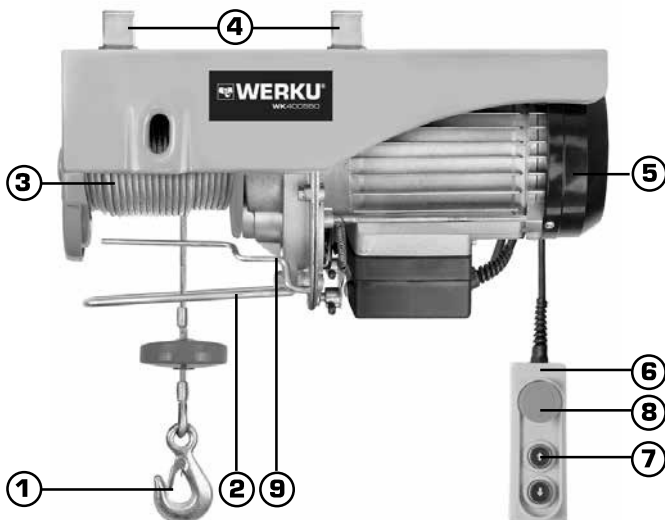
- ▶ Wenn die Hebezeug nicht fest in den Händen liegt, lassen Sie sie ausgeschaltet
- ▶ Nehmen Sie sie nur in Betrieb, wenn Sie sich sicher sind, dass Sie sie vollständig unter Kontrolle haben
- ▶ Zielen Sie auf niemanden mit eingeschalteter Hebezeug
- ▶ Beim Arbeiten kann die Hebezeug vibrieren
- ▶ Die Schrauben können sich nach und nach lösen und eine Störung oder einen Unfall verursachen
- ▶ Halten Sie die Hände von den beweglichen Teilen der Hebezeug fern.

NACH ARBEITSENDE.

- ▶ Berühren Sie nach Gebrauch nicht das an der Hebezeug angebrachte Zubehör
- ▶ Es kann sehr heiß sein und Verbrennungen verursachen
- ▶ Einige Materialien, mit denen gearbeitet wird, können toxische chemische Substanzen enthalten
- ▶ Seien Sie vorsichtig und vermeiden Sie das Einatmen dieser Substanzen und den Hautkontakt damit
- ▶ Verwenden Sie die PSA, um sich vor solchen Zwischenfällen zu schützen und diese zu vermeiden.

PRODUKTBESCHREIBUNG.

- ▶ Der Hebezeug wurde für vertikale Hebearbeiten entwickelt
- ▶ Beachten Sie dieses Schema, um sich mit der Hebezeug vor ihrer Verwendung vertraut zu machen.



1. Haken
2. Anschlaghebel
3. Kabel
4. Halterungen
5. Motor
6. Steuerung
7. Schalter
8. Sicherheitsschalter
9. Absenkbegrenzungsvorrichtung

BEDIENUNGSANLEITUNG.

- ▶ Bevor Sie die Hebezeug einschalten, sollten Sie alle angegebenen Anweisungen vollständig und gründlich durchlesen
- ▶ Ebenso sollten Unfallverhütungsvorschriften, Regeln und Richtlinien sowie die für die Betriebe geltenden Gesetze und Einschränkungen berücksichtigt werden
- ▶ Die Hebezeug darf nur von in ihrer Bedienung angemessen geschulten Personen und ausschließlich zu den vorgesehenen Zwecken verwendet werden.

STROMVERSORUNG.

- ▶ Achten Sie darauf, dass die Stromversorgung den auf dem Typenschild der Hebezeug angegebenen Anforderungen entspricht (1)
- ▶ Das Laufenlassen des Motors mit Unterspannung bewirkt, dass er langsam arbeitet
- ▶ Dies verringert die Leistung und kann zur Überhitzung des Motors führen.

VERLÄNGERUNGSKABEL.

- ▶ Wenn der Arbeitsbereich von der Stromversorgung entfernt liegt, verwenden Sie ein Verlängerungskabel von ausreichendem Durchmesser und Qualität.

ERDUNGSANSCHLUSS.

- ▶ Der Hebezeug muss bei Verwendung geerdet sein, um den Bediener vor möglichen Stromschlägen zu schützen.

FUNKTIONSWEISE.

- ▶ Bevor Sie die Arbeit mit dem Hebezeug beginnen, vergewissern Sie sich, dass das Metallkabel richtig aufgerollt ist (2).

WICHTIG.

- ▶ Vergewissern Sie sich, dass der Hebezeug gut nivelliert ist, damit das Kabel richtig aufgerollt wird
- ▶ Wenn der Hebezeug nicht gut nivelliert ist, rollt sich das Kabel schlecht auf und wird beschädigt
- ▶ Betätigen Sie den Steuerschalter (3)
- ▶ Wenn der Hebezeug ein bestimmtes Gewicht nicht anhebt, drücken Sie nicht weiter auf den Knopf, da dies bedeutet, dass das Gewicht die maximale Hubkapazität überschritten hat
- ▶ Beachten Sie das zulässige Höchstgewicht, das auf dem Typenschild des Hebezeugs, nicht am Haken, angegeben ist (4).

ACHTUNG.

- ▶ Für den Fall, dass der Hebezeug einer zu großen Kraft ausgesetzt wird, verfügt er über ein thermisches Sicherheitssystem (Wärmeschutz), das den Motor anhält, damit

dieser sich nicht zu stark erwärmt ► Sie müssen ihn dann 10 bis 20 Minuten abkühlen lassen, bevor sie ihn erneut benutzen ► Es ist normal, dass wenn der Hebezeug beim Herunterlassen einer Last angehalten wird, diese infolge der Schwerkraft ein paar Zentimeter mehr absinkt ► Es sollten mindestens drei Kabelwindungen auf der Kabeltrommel verbleiben, um den Kabelanschluss (5) nicht zu überlasten ► Ein abgenutztes Kabel muss durch ein neues ersetzt werden.

SYSTEM MIT EINEM KABEL.

► Bei dieser Betriebsart wird die gesamte Last von einem Kabel getragen ► Die Last wird direkt am Kabel des Hebezeugs eingehakt und normal angehoben (6) ► In dieser Betriebsart verfügt der Hebezeug lediglich über eine Kapazität zum Anheben der Hälfte seiner Nennlast ► In dieser Betriebsart steht die gesamte Länge des Kabels aus der Trommel zur Verfügung, um maximal die Hälfte der Höchstlast des Hebezeugs anzuheben.

SYSTEM MIT ZWEIFACHEM KABEL.

► Mit dem System mit zweifachem Kabel kann der Hebezeug seine gesamte Nennlast anheben ► Bei dieser Betriebsart wird die Last von zwei Kabeln getragen ► Ziehen Sie zu diesem Zweck Kabel in ausreichender Länge aus der Trommel und befestigen Sie den Haken an der Öffnung an der Vorderseite des Gehäuses des Hebezeugs (7) ► Auf diese Weise wird die angehobene Last von zwei Stützpunkten getragen: einerseits von der Kabeltrommel und andererseits von dem am Gehäuse befestigten Haken ► Platzieren Sie die mitgelieferte Spannrolle auf dem Kabel (8) ► In dieser Betriebsart dient diese Spannrolle als Befestigungsstelle ► Denken Sie daran, wenn Sie die gesamte Nennlast des Hebezeugs nutzen möchten, müssen Sie das System mit zweifachem Kabel verwenden ► Bei dieser Betriebsart verfügen Sie über die halbe Kabellänge der Trommel, um die Höchstlast des Hebezeugs anzuheben.

BEFESTIGUNG AN EINER HALTERUNG.

► Der Hebezeug hat an der Oberseite des Gehäuses vier Öffnungen (9) ► Diese vier Öffnungen können Sie als Befestigungsstellen verwenden, wenn Sie den Hebezeug an einem Blech oder ähnlichem mit den für diesen Zweck mitgelieferten Schrauben befestigen möchten ► Es sind zwei Kabelklemmen im Lieferumfang enthalten, die am Gehäuse des Hebezeugs befestigt werden können, damit dieser sicher an einer vorgefertigten Haltevorrichtung befestigt werden kann (10) ► Sehr wichtig: Vergewissern

Sie sich, dass alle Schrauben fest angezogen sind und das Befestigungssystem absolut sicher ist.

HUBBEGRENZUNGSVORRICHTUNG.

► Der Hebezeug wurde ausschließlich zum vertikalen Anheben von Lasten, nicht von Personen oder Tieren, entwickelt ► Er ist mit einem Anschlaghebel ausgestattet, der den Motor anhält, wenn die Last die maximale Höhe erreicht (11) ► Aus Sicherheitsgründen dürfen Sie den Hebel weder verstellen noch abnehmen.

ABSENKBEGRENZUNGSVORRICHTUNG.

► Der Hebezeug ist mit einer Sicherheitsvorrichtung ausgestattet, die beim Herablassen der Last verhindert, dass zu viel Kabel abgerollt wird ► Wenn nur noch zwei Kabelwindungen in der Trommel vorhanden sind, wird die Begrenzungsvorrichtung aktiviert, die den Motor abstellt, wodurch die Gefahr eines Unfalls vermieden wird.

WARTUNG.

► Die Hebezeug wurde entworfen, um mit minimaler Wartung lange Zeit zu funktionieren ► Das optimale Funktionieren hängt von guter Pflege der Hebezeug und häufiger Reinigung ab ► Um Unfälle zu vermeiden, müssen Sie die Hebezeug immer von der Steckdose trennen, bevor Sie sie reinigen oder warten ► Die Hebezeug muss nach jedem Gebrauch wirksam mit Pressluft gereinigt werden ► Verwenden Sie immer eine Schutzbrille, wenn Sie mit Pressluft arbeiten ► Wenn Sie keine Pressluft verwenden, entfernen Sie den Staub der Hebezeug mit Hilfe einer Bürste ► Die Lüftungsschlitze des Motors und die Schalter müssen immer sauber und ohne jegliche Art von Rückständen sein ► Versuchen Sie nicht, sie durch Einführen spitzer Gegenstände in die Öffnungen zu reinigen ► Einige Reinigungs- und Lösungsmittel wie Benzin, Tetrachlormethan, chlorierte lösemittelbasierte Reiniger, Ammoniak und ammoniakhaltige Haushaltsreiniger beschädigen die Kunststoffteile ► Verwenden Sie keines der genannten Produkte zum Reinigen der Hebezeug ► Wenn es zu starkem Funkenschlag kommt, veranlassen Sie eine Überprüfung und/oder einen Austausch der Bürsten durch den offiziellen Reparaturservice Werku®.

REGELMÄSSIGE INSPEKTIONEN.

► Überprüfen Sie den Zustand des Stahlkabels in regelmäßigen Abständen. Es darf weder abgenutzt noch beschädigt sein (12) ► Überprüfen Sie den Zustand der Muttern an den Halteklemmen des Hebezeugs (13) ► Überprüfen

Sie regelmäßig die Arbeitsweise des Not-Aus-Schalters und des Steuerschalters (14).

WÄRMESCHUTZ.

► Der Hebezeug verfügt über einen Wärmeschutz für den Fall von Betriebsüberlastungen oder zu hoher Stromspannung ► Da der Motor einige Minuten lang ununterbrochen läuft, hält der Wärmeschutz diesen zur Vermeidung von Störungen automatisch an ► Nach einigen Minuten schaltet er sich erneut ein (75-25%).

UMWELTSCHUTZ.

► Die Materialien und Bauteile, die für die Herstellung dieses Produkts verwendet wurden, können recycelt und wiederverwertet werden ► Werku® arbeitet mit einem Integrierten Abfallbewirtschaftungssystem, das die korrekte Entsorgung der Rückstände dieses Produkts abwickelt ► Werfen Sie dieses Produkt nicht in den Haushaltsmüll ► Werku® bietet seinen Kunden einen kostenlosen Service, um diese Rückstände von einer der Verkaufsstellen, den vom Integrierten Abfallbewirtschaftungssystem eingerichteten Sammelstellen oder den Abfallsammelstellen Ihrer Gemeinde abzuholen.

GARANTIE UND KUNDENSERVICE.

► Neben der gesetzlichen Garantie räumt Werku® Ihnen zusätzlich eine kommerzielle Garantie ein ► Die kommerzielle Garantie umfasst die Reparatur von Mängeln aufgrund von Material- oder Fabrikationsfehlern ► Damit diese Garantie gewährleistet wird, müssen diese Mängel innerhalb des Gültigkeitszeitraums auftreten ► Der Verbraucher hat das Recht auf kostenlose Reparatur von Mängeln, die von Werku® als in der kommerziellen Garantie eingeschlossen anerkannt werden (einschl. Versand-, Verarbeitungs- oder Materialkosten); nach Wahl von Werku® entweder durch Reparatur oder durch Ersatz (falls erforderlich, durch ein späteres Modell) ► Diese kommerzielle Garantie betrifft nicht die in der EU-Richtlinie 1999/44/EG festgelegten Verbraucherrechte ► Der Gültigkeitszeitraum dieser kommerziellen Garantie beträgt 24 Monate ► Falls das Produkt für den gewerblichen oder industriellen Gebrauch bestimmt ist, beträgt der Gültigkeitszeitraum 12 Monate ► Der Gültigkeitszeitraum beginnt ab dem Datum des Kaufes durch den erstmaligen Verbraucher ► Dieses Datum ist auf der Rechnung oder dem Kaufbeleg enthalten ► Die Zeit für Gewährleistungsansprüche im Hinblick auf die Erfüllung dieser kommerziellen

Garantie ist auf sechs Monate ab Ende des Gültigkeitszeitraums festgelegt ► Eine Reklamation im Zusammenhang mit dieser kommerziellen Garantie muss dem Händler oder Kundenservice vorgelegt werden ► Hierzu muss diese Garantie ordnungsgemäß ausgefüllt, vom Händler gestempelt und zusammen mit der Rechnung oder dem Kaufbeleg vorgelegt werden ► Für weitere Informationen zu dieser kommerziellen Garantie können sich der Käufer oder der Händler telefonisch über +34 981 648 119 oder über E-Mail an info@werku.com mit dem Kundenservice in Verbindung setzen ► Ausgenommen von dieser kommerziellen Garantie sind Mängel, die infolge von verschlissenen Teilen durch den Gebrauch oder eine andere Art von natürlichem Verschleiß verursacht wurden, Mängel aufgrund von Unaufmerksamkeit oder Nichtbefolgung der Bedienungsanleitung und unsachgemäßem Betrieb, eine Benutzung, die nicht dem Gebrauch entspricht, für den das Produkt bestimmt ist, ungewöhnliche Umweltfaktoren, Überlastung, unangemessene Wartung oder Reinigung, Mängel aufgrund der Verwendung von Zubehör, Ergänzungen oder Ersatzteilen, die keine Originalteile von Werku® sind, wenn das Produkt durch Personal, das nicht zum Kundenservice gehört, ganz oder teilweise auseinander montiert, verändert oder repariert wurde oder kleine und für den Gebrauch und ordnungsgemäßen Betrieb unwesentliche Unregelmäßigkeiten ► Durch Reparaturen und Ersatz wird der Gültigkeitszeitraum für diese kommerzielle Garantie weder verlängert noch neu festgelegt ► Ersetzte Teile gehen in das Eigentum von Werku® über ► Wenn der Käufer das Produkt an den Kundenservice zurückgibt und dabei nicht die Bedingungen dieser kommerziellen Garantie erfüllt, gehen die Kosten und Gefahren zu Lasten des Käufers ► Diese kommerzielle Garantie gilt auf dem Gebiet der Europäischen Union ► Das für die Erfüllung der kommerziellen Garantie verantwortliche Unternehmen Werku® ist Werku Tools SA.

TECHNISCHE BERATUNG.

► Werku® stellt Ihnen seine technische Abteilung zur Verfügung, damit Sie alle Fragen, die zu unseren Produkten auftreten könnten, klären können ► Wenn Sie sich mit unserem Team in Verbindung setzen möchten, senden Sie eine E-Mail an folgende Adresse: info@werku.com.

DECLARATION DE CONFORMITE CE.

► Werku® déclare que le palan **WK400550** est en conformité avec les directives et normes européennes 2006/42/CE, 2014/30/EU, EN 14492-2:2006+A1, EN 60204-32:2008, EN 55014-1:2017, EN 55014-2:2015, EN 61000-3-2:2019 et EN 61000-3-3:2013.

La Coruña, 01/12/2020

R Yáñez

Werku Tools SA

CARACTÉRISTIQUES TECHNIQUES.

► Voltage-fréquence 230V~50Hz ► Puissance 1600W ► Classe I ► Indice de protection IP54
► Révolutions 2500 min⁻¹ ► Capacité de levage 500-1000 kg ► Vitesse de levage 8-4 mpm
► Hauteur de levage 22-11 m ► Résistance câble ≥ 2500 kg ► Longueur câble 22 m ► Diamètre câble 5.6 mm ► Poids net 31 kg ► Pression acoustique LpA ≤ 70 dB(A) ► Possible variation kPa 3.0 dB(A) ► Pression acoustique LwA ≤ 80 dB(A) ► Possible variation KwA 3.0 dB(A) ► Vibration Aw ≤ 2.5 m/s² ► Possible variation K 1.5 m/s².

CONSIGNES DE SÉCURITÉ.

► Veuillez lire toutes les consignes de sécurité et tous les avertissements ► Le non respect de l'ensemble des avertissements et des consignes figurant ci-dessous peut être la cause d'un choc électrique, d'un incendie et/ou de blessures graves ► Conservez tous les avertissements et toutes les consignes pour vous y référer ultérieurement ► Les accidents peuvent dans de nombreux cas être évités en identifiant les situations dangereuses avant qu'un accident ne se produise et en respectant fidèlement les procédures de sécurité adéquates ► N'utilisez jamais ce palan dans les cas non spécifiés dans ce manuel.

SÉCURITÉ DE LA ZONE DE TRAVAIL.

► Conservez la zone de travail rangée et bien éclairée ► Les zones mal rangées et mal éclairées sont sources d'accidents ► Ne manipulez pas d'outils électriques dans des environnements explosifs comme en présence de liquides, de gaz ou de poussières inflammables ► Maintenez les enfants et les curieux éloignés pendant que vous manipulez un outil électrique ► Les distractions peuvent être sources d'une perte de contrôle.

SÉCURITÉ PERSONNELLE.

► Soyez vigilant et attentif à ce que vous faites et faites appel à votre bon sens quand vous manipulez un outil électrique ► N'utilisez pas d'outil électrique si vous êtes fatigué ou sous l'influence de drogues, d'alcool ou de médicaments ► Un moment de distraction pendant que vous manipulez des outils électriques peut vous causer de graves blessures corporelles.

UTILISEZ DES EPI.

► Utilisez des lunettes de protection conformes à EN166 ► Utilisez un masque de protection conforme à EN149 ► Si le type de travail à effectuer le requiert, utilisez d'autres équipements de protection individuelle.

NE TRAVAILLEZ PAS SUR LA POINTE DES PIEDS.

► Maintenez vos pieds bien à plat sur le sol et conservez votre équilibre à tout moment ► Cela vous permettra de mieux contrôler l'outil électrique en cas d'imprévu.

HABILLEZ-VOUS EN CONSÉQUENCE.

► Ne portez pas de vêtements flottants ou des bijoux ► Éloignez vos cheveux, vos vêtements et vos gants des pièces en mouvement ► Les vêtements flottants, les bijoux ou les cheveux longs peuvent être pris dans les pièces en mouvement ► S'il existe des dispositifs pour la connexion de moyens d'extraction et de ramassage de la poussière, assurez-vous qu'ils soient branchés et qu'ils fonctionnent correctement ► L'utilisation de ces dispositifs peut réduire les risques liés à la poussière.

SÉCURITÉ ÉLECTRIQUE.

► La prise mâle de l'outil électrique doit être adaptée au socle de la prise de courant ► Ne jamais modifier la prise mâle de quelque manière que ce soit ► Ne pas utiliser d'adaptateurs de prises avec des outils électriques mis à la terre ► Des prises non modifiées et des socles adaptés permettront de réduire le risque d'électrocution ► Évitez le contact du corps avec des surfaces mises à la terre telles que des tuyaux, des radiateurs, des cuisinières électriques et des réfrigérateurs ► Il existe un risque accru d'électrocution si votre corps est en contact avec le sol ► Ne pas exposer les outils électriques à la pluie ou à des conditions d'humidité ► L'entrée d'eau dans un outil électrique augmente le risque d'électrocution.

N'ABUSEZ PAS DU CÂBLE.

► Ne jamais utiliser le câble de branchement pour soulever, porter ou débrancher l'outil électrique ► Maintenez le câble éloigné de la chaleur, de l'huile, des objets et bords tranchants ou des

pièces en mouvement ► Les câbles endommagés ou emmêlés augmentent le risque d'électrocution ► Lorsque vous manipulez un outil électrique à l'extérieur, utilisez une rallonge adaptée à une utilisation en extérieur ► L'utilisation d'une rallonge adaptée à un usage en extérieur réduit le risque d'électrocution ► Si l'utilisation d'un outil électrique dans un endroit humide est inévitable, utilisez une alimentation protégée par un dispositif de courant résiduel (RCD) ► L'utilisation d'un RCD réduit le risque d'électrocution.

ÉVITEZ UN DÉMARRAGE ACCIDENTEL.

► Assurez-vous que l'interrupteur est en position « off » avant de le brancher au réseau ou avant de prendre ou de transporter l'outil ► Transporter des outils électriques en ayant le doigt sur l'interrupteur ou brancher un outil électrique dont le bouton est en position « on » augmente le risque d'accidents ► Retirez les clés ou les outils avant de démarrer une machine électrique ► Une clé ou un outil restés attachés à une pièce rotative d'une machine électrique peut entraîner des blessures corporelles.

UTILISATION ET ENTRETIEN DES OUTILS ÉLECTRIQUES.

► Ne forcez pas sur l'outil électrique ► Utilisez l'outil électrique approprié à la tâche à effectuer ► Utiliser un outil électrique adapté garantit un meilleur travail et l'utiliser au rythme pour lequel il a été conçu constitue une garantie de sécurité ► N'utilisez pas l'outil électrique si le bouton ne peut pas être positionné sur « off » et « on » ► Toute machine électrique est dangereuse si elle ne peut pas être maîtrisée par un bouton d'arrêt. Dans ce cas, elle doit être réparée ► Débranchez la prise de la source d'alimentation et/ou de la batterie avant tout réglage, changement d'accessoires ou stockage de l'outil électrique. ► Adopter ces mesures préventives de sécurité réduit le risque de démarrer l'outil de manière accidentelle.

STOCKEZ LES OUTILS ÉLECTRIQUES.

► Rangez les outils électriques inutilisés hors de portée des enfants et n'autorisez pas leur maniement par des personnes non familiarisées avec ce type d'outils ou méconnaissant les consignes de sécurité ► Les outils électriques sont dangereux entre les mains d'utilisateurs non avertis.

ENTRETIEN.

► Vérifiez que les parties mobiles ne sont pas désalignées ou entravées, qu'il n'y a pas de pièces cassées ou d'autres conditions qui peuvent affecter le fonctionnement des outils électriques ► Les outils

électriques doivent être réparés avant leur utilisation quand ils sont endommagés ► De nombreux accidents sont causés par des outils électriques mal entretenus ► Utilisez ces outils électriques et leurs accessoires en respectant ces instructions et le mode d'utilisation prévu pour chaque type d'outils électriques, en tenant compte des conditions de travail et de la tâche à effectuer ► L'utilisation de l'outil électrique à des fins autres que celles spécifiées pourrait provoquer une situation de danger ► Faites réviser vos outils électriques par un service officiel de réparation Werku® en utilisant uniquement des pièces de rechange identiques ► C'est une garantie de sécurité pour votre outil.

VÉRIFIEZ LE BON ÉTAT DE VOTRE PALAN.

► Vérifiez que toutes les vis du palan sont parfaitement bien serrées ► Sous des climats froids ou quand le palan n'a pas été utilisé depuis longtemps, laissez le palan se réchauffer un peu en le faisant fonctionner à vide pendant quelques minutes afin de permettre une parfaite lubrification de ses composants internes ► Assurez-vous que les possibles accessoires installés sont bien à leur place.

AVANT DE COMMENCER À TRAVAILLER.

► Avant d'utiliser le palan, assurez-vous qu'il est fermement calé ► Vérifiez que personne ne se trouve dans la zone d'action du palan quand vous effectuez des travaux dans des zones en hauteur ► Éloignez vos mains des parties du palan en mouvement.

PENDANT LE FONCTIONNEMENT.

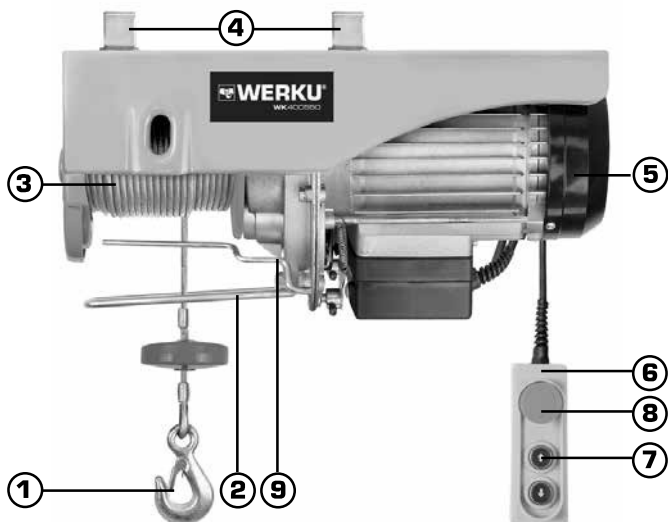
► Ne faites pas fonctionner le palan s'il n'est pas bien maintenu ► Faites-le fonctionner quand vous êtes sûr de le contrôler totalement ► Ne le dirigez pas vers quelqu'un pendant son fonctionnement ► Pendant l'opération, le palan peut produire des vibrations ► Les vis peuvent se dévisser petit à petit, ce qui peut provoquer une panne ou un accident ► Éloignez vos mains des parties du palan en mouvement.

À LA FIN DE VOTRE TRAVAIL.

► Ne touchez pas les accessoires installés sur le palan après son utilisation ► Ils peuvent être très chauds et causer des brûlures ► Certains matériaux sur lesquels vous travaillez peuvent contenir des substances chimiques ou des composants toxiques ► Soyez attentif à ne pas inhaler ces substances et à ce que votre peau ne soit pas en contact avec ► Utilisez les EPI conçus pour prévenir et vous protéger de ce type d'accidents.

DESCRIPTION DU PRODUIT.

► Le palan a été conçu pour effectuer des travaux de levage vertical ► Observez ce schéma pour vous familiariser avec le palan avant de l'utiliser.



1. Crochet.
2. Levier fin de course.
3. Câble.
4. Supports.
5. Moteur.
6. Boîtier de commande.
7. Bouton de marche.
8. Bouton de sécurité.
9. Dispositif limiteur descente.

NOTICE D'UTILISATION.

► Avant de démarrer la palan, il est recommandé de lire complètement et minutieusement toutes les instructions ci-dessous ► Vous devrez également tenir compte des normes de prévention des accidents, des règlements et des directives ainsi que des lois et restrictions en vigueur pour les centres de travail ► La palan doit être utilisée uniquement par des personnes adéquatement formées à son maniement et respectant exclusivement les applications ici prévues.

SOURCE D'ALIMENTATION.

► Assurez-vous que la source d'alimentation est adaptée aux conditions spécifiées sur la plaque d'informations de la palan (1) ► Si vous utilisez un faible voltage, le moteur fonctionnera lentement ► Ce qui réduira le rendement et pourra provoquer une surchauffe du moteur.

RALLONGE.

► Si la zone de travail est éloignée de la source d'alimentation, utilisez une rallonge d'un diamètre et d'une qualité suffisants.

MISE À LA TERRE.

► Le palan doit être connecté à la terre quand il est utilisé, afin de protéger son utilisateur de possibles décharges électriques.

FONCTIONNEMENT.

► Avant de commencer à travailler avec le palan, assurez-vous que le câble métallique est bien enroulé (2).

IMPORTANT.

► Vérifiez que le niveau du palan est bien droit afin de bien enrouler le câble ► Si le palan n'est pas droit, le câble s'enroulera mal et sera endommagé ► Actionnez le bouton de marche du boîtier de commande (3) ► Si le palan ne lève pas le poids souhaité, cessez d'appuyer sur le bouton: cela veut dire que le poids excède la capacité maximale de levage ► Respectez la charge maximale indiquée sur la plaque d'identification du palan, pas sur le crochet (4).

ATTENTION.

► Le palan dispose d'un système de protection thermique qui arrête le moteur pour éviter qu'il brûle si le palan est soumis à un effort excessif ► Dans ce cas, laissez-le refroidir entre 10 et 20 minutes avant de le réutiliser ► Il est normal que quand le palan est arrêté alors qu'il descend une charge, celle-ci continue de baisser de quelques centimètres : cela est dû à la force d'inertie ► Conservez au moins trois tours de câble enroulés afin de ne pas forcer dessus (5) ► Si le câble est usé, il faut le remplacer par un autre de mêmes caractéristiques.

SYSTÈME CÂBLE SIMPLE.

► Dans ce système d'utilisation, le poids de la charge est réparti sur un seul câble ► La charge s'accroche directement au câble du palan et est levée normalement (6) ► Avec ce mode d'utilisation, le palan peut lever au maximum la moitié de sa charge nominale ► Dans ce type d'utilisation, on dispose de la longueur totale du câble de la bobine pour un levage maximal correspondant à la moitié de la charge maximale du palan.

SYSTÈME DE RENVOI.

► Pour que le palan puisse lever la totalité de sa charge nominale, il faut utiliser le système de renvoi ► Avec ce mode d'utilisation, le poids de la charge est réparti sur deux câbles ► Pour cela,

lâchez suffisamment de câble de la bobine et fixez le crochet dans l'orifice localisé sur la partie frontale du corps du palan (7) ► De cette manière, la charge levée dispose de deux points d'appui : d'un côté la bobine de câble et de l'autre le crochet fixé sur le corps du palan ► Placez sur le câble la poulie fournie (8) ► Cette poulie constituera le point d'accroche de la charge sur le système de renvoi ► N'oubliez pas que pour lever la totalité de la charge nominale du palan, il faut utiliser obligatoirement le système de renvoi ► Pour ce type d'utilisation, on dispose de la moitié de la longueur du câble de la bobine pour lever un maximum correspondant au total de la charge maximale du palan.

FIXATION À UN SUPPORT.

► Le palan est muni de quatre orifices en haut du corps du palan (9) ► On peut utiliser ces quatre trous comme points d'ancrage pour fixer le palan sur une plaque métallique ou un support similaire en utilisant les vis fournies à cet effet ► Sont également fournis deux anneaux destinés à être fixés au corps du palan pour le fixer à son tour sur un support préparé à cet effet (10) ► Il est extrêmement important de s'assurer que, tant pour un mode d'utilisation que pour l'autre, toutes les vis sont parfaitement bien serrées et que la fixation est entièrement sécurisée.

DISPOSITIF LIMITEUR MONTÉE.

► Le palan est conçu pour être utilisé uniquement en levage vertical, jamais pour lever des personnes ou des animaux ► Il est muni d'un levier de fin de course dont la fonction est d'arrêter le moteur du palan une fois que la charge a été levée à la hauteur maximale (11) ► Pour des raisons de sécurité, ne modifiez ni ne retirez en aucun cas ce levier.

DISPOSITIF LIMITEUR DESCENTE.

► Le palan est équipé d'un dispositif de sécurité destiné à éviter un déroulement excessif du câble lors de la descente de la charge ► Quand il reste deux tours de câble sur la bobine, un bouton limiteur s'activera et arrêtera le moteur afin d'éviter des risques d'accidents.

ENTRETIEN.

► La palan a été conçue pour fonctionner longtemps avec un minimum d'entretien ► Le fonctionnement optimal de la palan dépend des soins qui lui sont apportés et d'un nettoyage fréquent ► Pour éviter des accidents, débranchez toujours la palan de sa source d'alimentation avant de la nettoyer ou de l'entretenir ► La palan doit toujours être nettoyée de manière efficace

en utilisant de l'air comprimé à la fin de chaque utilisation ► Utilisez toujours des lunettes de protection quand vous travaillez avec de l'air comprimé ► Si vous ne pouvez pas utiliser d'air comprimé, retirez la poussière de la palan à l'aide d'une brosse ► Les fentes de ventilation du moteur et les interrupteurs doivent être toujours propres et dépourvus de tout résidu ► N'essayez pas de les nettoyer en introduisant des objets pointus par les ouvertures ► Certains produits de nettoyage et certains solvants, comme l'essence, le tétrachlorométhane, les solvants chlorés, l'ammoniaque et les produits de nettoyage domestiques contenant de l'ammoniaque, endommagent les composants en plastique ► N'utilisez aucun de ces produits pour nettoyer la palan ► Si la machine produit beaucoup d'étincelles, faites réviser et/ou remplacer les balais par le service officiel de réparation Werku®.

CONTRÔLES FRÉQUENTS.

► Vérifiez régulièrement le bon état du câble en acier: il ne doit pas être usé ou endommagé (12) ► Vérifiez l'état et le serrage des écrous sur les anneaux de fixation du palan (13) ► Vérifiez régulièrement le bon fonctionnement du bouton d'arrêt d'urgence et du bouton de marche du boîtier de commande (14).

PROTECTION THERMIQUE.

► Le palan est muni d'une protection thermique contre les surcharges de travail ou de tension électrique ► Quand le moteur fonctionne en continu pendant quelques minutes, la protection thermique l'arrêtera afin d'éviter une panne ► Après quelques minutes de repos, le moteur se remettra à fonctionner (75-25%).

PROTECTION DE L'ENVIRONNEMENT.

► Les matériaux et composants utilisés pour fabriquer ce produit peuvent être réutilisés et recyclés ► Werku® a adhéré à un Système Intégré de Gestion qui se charge de l'élimination correcte des résidus de ce produit ► Ne jetez pas ce produit dans les ordures domestiques ► Werku® propose à ses clients un service gratuit de collecte de ces résidus dans tous ses points de vente, dans les points de collecte listés par le Système Intégré de Gestion ou dans les points de collecte de votre commune.

GARANTIE ET SERVICE TECHNIQUE.

► Outre la garantie légale, Werku® offre une garantie commerciale supplémentaire ► Cette garantie commerciale couvre la réparation des

défauts résultant de défaillances dans le matériel ou la fabrication ► Pour cela, les défauts doivent être constatés pendant la période de validité ► Le consommateur a droit à la réparation gratuite des défauts que Werku® reconnaît comme inclus dans la garantie commerciale (frais envoi, main d'œuvre et matériaux inclus), au choix de Werku®, au moyen de la simple réparation ou par remplacement (le cas échéant, par un modèle postérieur) ► Cette garantie commerciale n'affecte pas les droits du consommateur établis légalement par la Directive 1999/44/CE ► La période de validité de cette garantie commerciale est de 24 mois ► Si ce produit est destiné à une utilisation professionnelle ou industrielle, la période de validité est de 12 mois ► La période de validité débute à la date d'achat par le premier consommateur ► Cette date figure sur la facture ou le ticket de caisse ► Le droit de réclamer l'application de cette garantie commerciale expire six mois après la fin de la période de validité ► Les réclamations en vertu de cette garantie commerciale doivent être présentées au distributeur ou au Service d'Assistance Technique ► Pour cela, il est indispensable de présenter cette garantie dûment complétée et tamponnée par le distributeur, accompagnée de la facture ou du ticket d'achat ► Pour toute information relative à cette garantie commerciale, l'acheteur et/ou le distributeur peut contacter le Service d'Assistance Technique au +34 981 648 119, ou par courrier électronique à info@werku.com ► Sont exclus de cette garantie commerciale les défauts causés par des pièces usées résultant d'une utilisation naturelle, les défauts causés par le non respect ou la mauvaise application de la notice d'utilisation ou par une utilisation non conforme à celle à laquelle est destiné ce produit, par des facteurs environnementaux anormaux ou une surcharge, un entretien ou un nettoyage inadéquats, les défauts causés par l'utilisation d'accessoires ou de pièces de rechange qui ne sont pas des pièces d'origine Werku® et si le produit a été totalement ou partiellement démonté, modifié ou réparé par du personnel autre que celui du Service d'Assistance Technique, ou s'il s'agit d'irrégularités minimales et insignifiantes pour une utilisation et un fonctionnement adéquats ► Les réparations et remplacements ne prolongent ni ne renouvellent le délai de validité de cette garantie commerciale

► Les pièces remplacées sont la propriété de Werku® ► Si l'acheteur remet le produit au Service d'Assistance Technique en ne remplissant pas les conditions de cette garantie commerciale, les frais et risques du transport seront à sa charge ► Cette garantie commerciale est valable sur le territoire de l'Union Européenne ► L'entreprise responsable de l'application de cette garantie commerciale Werku® est Werku Tools SA.

ASSISTANCE TECHNIQUE.

► Werku® met à votre disposition son service technique pour répondre à toutes les questions sur ses produits ► Si vous souhaitez contacter notre équipe, veuillez envoyer un courrier électronique à l'adresse suivante: info@werku.com.

CE CONFORMITEITSVERKLARING.

► Werku® verklaart dat de takel **WK400550** in overeenstemming is met de Europese richtlijnen en normen 2006/42/CE, 2014/30/EU, EN 14492-2:2006+A1, EN 60204-32:2008, EN 55014-1:2017, EN 55014-2:2015, EN 61000-3-2:2019 en EN 61000-3-3:2013.

La Coruña, 01/12/2020

R Yáñez

Werku Tools SA

TECHNISCHE EIGENSCHAPPEN.

► Spanning-frequentie 230V~50Hz ► Vermogen 1600W ► Klasse I ► Beveiliging index IP54
► Toerental 2500 min⁻¹ ► Hefcapaciteit 500-1000 kg ► Hefsnelheid 8-4 mpm ► Hefhoogte 22-11 m
► Kabelcapaciteit ≥ 2500 kg ► Kabellengte 22 m
► Kabeldiameter 5.6 mm ► Netto gewicht 31 kg
► Geluidsdruk LpA ≤ 70 dB(A) ► Respectievelijke onzekerheid KpA 3,0 dB(A) ► Akoestische druk LwA ≤ 80 dB(A) ► Respectievelijke onzekerheid Kwa 3,0 dB(A) ► Vibratie Aw ≤ 2.5 m/s²
► Respectievelijke onzekerheid K 1,5 m/s².

VEILIGHEIDSINSTRUCTIES.

► Lees alle beveiligingswaarschuwingen en alle instructies ► Het niet opvolgen van alle hieronder vermelde waarschuwingen en instructies kan leiden tot elektrische schokken, brand en/of ernstig letsel ► Bewaar alle waarschuwingen en voorschriften voor toekomstig gebruik ► Ongevallen kunnen meestal worden voorkomen door erkenning van een potentiële gevaarlijke situatie voordat deze plaatsvindt en door het observeren van de juiste veiligheidsprocedures ► Deze takel niet gebruiken voor andere toepassingen dan die in deze handleiding zijn gespecificeerd.

VEILIGHEID OP DE WERKOMGEVING.

► Houw de werkomgeving schoon en goed verlicht
► Een rommelige of onverlichte werkomgeving kan ongevallen veroorzaken ► Gebruik geen elektrisch gereedschap in explosieve omgevingen, zoals in de aanwezigheid van brandbare vloeistoffen, gassen of stoffen ► Houw kinderen en nieuwsgierigen uit de buurt tijdens het gebruiken van een elektrisch gereedschap ► Afleidingen kunnen controleverlies veroorzaken.

PERSOONLIJKE VEILIGHEID.

► Blijf alert, let op wat u doet en gebruik uw gezond verstand bij het bedienen van een elektrisch gereedschap ► Gebruik geen elektrisch gereedschap wanneer u moe of onder invloed bent van drugs, alcohol of medicijnen ► Een moment van onoplettendheid bij het gebruik van elektrisch gereedschap kan ernstige persoonlijke schade veroorzaken.

GEBRUIK PBM'S.

► Gebruik een beschermingsbril volgens EN166
► Gebruik een beschermingsmasker volgens EN149 ► Indien vereist door de aard van het werk, gebruik andere precieze PBM's.

NIET OP DE TENEN WERKEN.

► Houw de voeten goed op de grond en blijf in ieder moment in evenwicht
► Dit vergemogelijkt een betere controle van het elektrisch gereedschap in onverwachte situaties.

DRAAG GESCHIKTE KLEDING.

► Draag geen losse kleding of sieraden ► Houw uw haar, kleding en handschoenen uit de buurt van bewegende delen ► Losse kleding, sieraden en lange haren kunnen door bewegende delen worden opgenomen ► Als er apparaten zijn voor de verbinding van extractiemiddelen en stofverzamelaars, zorg erdan voor dat ze zijn aangesloten en juist worden gebruikt ► Het gebruik van deze apparaten kan gevaren die met stof te maken hebben verminderen.

ELEKTRISCHE VEILIGHEID.

► De stekker van het elektrisch gereedschap moet bijpassend zijn met de basis van het stopcontact ► Verander de stekker nooit; op welke manier ook ► Gebruik geen verloopstekkers met geaard elektrisch gereedschap ► Onveranderde stekkers en passende stopcontacten zullen het risico op een elektrische schok verminderen ► Vermijd lichamelijk contact met geaarde oppervlakken zoals buizen, verwarmingen, fornuizen en koelkasten ► Er bestaat een verhoogd risico op een elektrische schok wanneer uw lichaam geaard is ► Elektrisch gereedschap niet blootleggen aan regen of natte omstandigheden ► Water in het elektrisch gereedschap zal het risico op een elektrische schok verhogen.

HET SNOER NIET MISBRUIKEN.

► Gebruik het snoer nooit om het elektrische gereedschap te dragen, op te tillen of uit de stekker te trekken ► Houd het snoer uit de buurt van hitte, olie, scherpe randen of bewegende onderdelen ► Een beschadigd of verward snoer verhoogt het risico op een elektrische schok ► Bij het gebruik buitenshuis van het elektrisch gereedschap, gebruik maken van een verlengsnoer dat geschikt is voor gebruik buitenshuis ► Het gebruik van een verlengsnoer dat geschikt is voor gebruik buitenshuis vermindert het risico op een elektrische schok ► Als het gebruik van het elektrisch gereedschap in een vochtige omgeving onvermijdelijk is, gebruik dan een stroom beveiligd met een aardlekschakelaar (RCD) ► Het gebruik van een aardlekschakelaar vermindert het risico van een elektrische schok.

VOORKOM HET ONOPZETTELIJK INSCHAKELEN.

► Zorg ervoor dat de schakelaar op de “off” positie staat voor de verbinding met het netwerk of het transporteren van het elektrisch gereedschap ► Het dragen van het elektrische gereedschap met uw vinger aan de schakelaar of het aansluiten van het elektrisch gereedschap met de schakelaar op de “on” positie, nodigt uit tot ongevallen ► Verwijder sleutels of gereedschap voor het starten van het elektrische gereedschap ► Een achtergelaten sleutel of gereedschap in een draaiend onderdeel van het elektrische gereedschap kan persoonlijk letsel veroorzaken.

GEBRUIK EN ONDERHOUD VAN ELEKTRISCH GEREEDSCHAP.

► Forceer het elektrisch gereedschap niet ► Gebruik het juiste elektrisch gereedschap voor de toepassing ► Met het juiste elektrisch gereedschap werkt u beter en veiliger binnen het toerental waarvoor deze werd ontworpen ► Gebruik het elektrisch gereedschap niet als de schakelaar niet kan worden geplaatst op de “on” en “off” posities ► Elk elektrisch gereedschap dat niet kan worden in- of uitgeschakeld is gevaarlijk en moet worden gerepareerd ► Trek de stekker uit het stopcontact en/of de accu voordat u afstellingen verricht, accessoires verwisselt of het elektrisch gereedschap weglegt ► Dergelijke preventieve veiligheidsmaatregelen verminderen het risico op het onopzettelijk aanzetten van het elektrische gereedschap.

HET OPSLAAN VAN PERSLUCHTGEREEDSCHAP.

► Elektrisch gereedschap dat niet in gebruik is moet worden opgeladen buiten het bereik van kinderen en mag niet worden gebruikt door personen zonder ervaring met elektrisch gereedschap of door mensen die deze instructies niet kennen ► Elektrisch gereedschap is gevaarlijk in de handen van onervaren gebruikers.

ONDERHOUD.

► Controleer of bewegende delen niet los zitten of vastgelopen zijn, of er geen gebroken onderdelen of andere omstandigheden zijn die de werking van elektrisch gereedschappen kunnen beïnvloeden ► Elektrisch gereedschap moet worden gerepareerd voor gebruik en wanneer deze beschadigd zijn ► Veel ongelukken worden veroorzaakt door slecht onderhouden elektrisch gereedschap ► Gebruik elektrisch gereedschap en accessoires volgens deze instructies en op de wijze die voor het specifieke type elektrisch gereedschap geldt, rekening houdend met de werkomstandigheden en het te ontwikkelen werk ► Het gebruik van elektrisch gereedschap voor andere dan de voorziene toepassingen kan tot gevaarlijke situaties leiden ► Laat uw elektrisch gereedschap controleren en repareren door een officiële Werku[®] reparatieservice en gebruik alleen originele vervangingsonderdelen ► Dit zal de veiligheid van het elektrisch gereedschap in stand houden.

CONTROLEER DE GOEDE STAAT VAN DE TAKEL.

► Zorg ervoor dat alle schroeven in de takel perfect zijn vastgedraaid ► Laat de takel opwarmen door deze leeg te gebruiken gedurende koude klimaten of als de takel een lange periode niet gebruikt is, om ervoor te zorgen dat alle interne componenten perfect gesmeerd worden ► Zorg ervoor dat de eventuele geïnstalleerde accessoires perfect aangebracht zijn en op zijn plaats zitten.

VOORDAT U BEGINT.

► Voordat u de takel gebruikt, zorg ervoor dat u stevig staat ► Controleer of er niemand onder de takel influentiezone staat indien u in de hoogte werkt ► Houw uw handen uit de buurt van alle bewegende delen van de takel.

TIJDENS HET WERKEN.

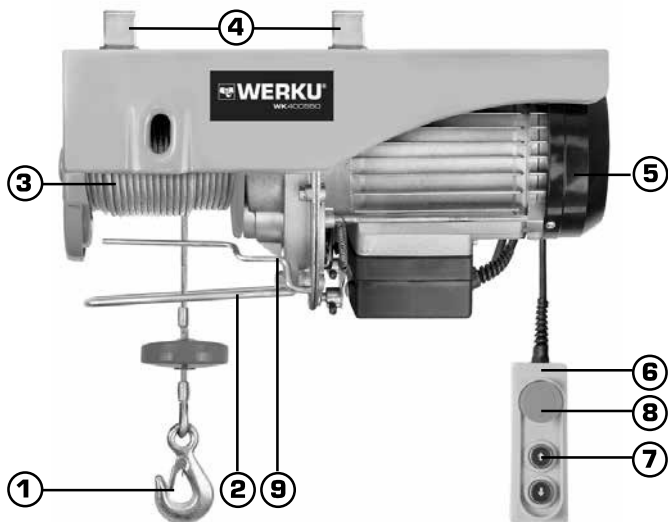
► De takel niet laten werken zonder deze stevig vast te houden ► Laat deze allen werken als u zeker bent dat u volledige controle over de takel heeft ► Richt de takel nooit op iemand terwijl deze in gebruik is ► Bij gebruik van de takel kunnen trillingen optreden ► Schroeven kunnen geleidelijk loskomen en mogelijk storingen of ongevallen veroorzaken ► Houw uw handen uit de buurt van alle bewegende delen van de takel.

HET WERK EINDE.

► Na gebruik, niet de geïnstalleerde accessoires in de takel aanraken ► Deze kunnen heet zijn en brandwonden veroorzaken ► Sommige materialen waarmee gewerkt is kunnen chemicaliën of giftige componenten bevatten ► Vermijd het inademen van deze stoffen of met deze in contact komen met de huid ► Gebruik PBM's ter voorkoming en bestrijding van incidenten van deze aard.

BESCHRIJVING VAN HET PRODUCT.

► De takel is ontworpen om verticale elevatiewerkzaamheden uit te voeren ► Raadpleeg voor gebruik dit plan om vertrouwd te raken met de takel.



1. Haak.
2. Eind-hefboom.
3. Kabel
4. Ondersteuning.
5. Motor.
6. Controle.
7. Schakelaar.
8. Veiligheidsknop.
9. Neerlaat limiet apparaat.

GEBRUIKSAANWIJZING.

► Voor het starten van de takel, raden wij u aan zorgvuldig alle aangegeven instructies te lezen ► Respecteer alle voorschriften met betrekking tot de preventie van ongevallen, gezondheids- en veiligheidsrichtlijnen, wetten en toepasselijke beperkingen voor werkplekken ► De takel mag alleen worden gebruikt door personen die geïnstrueerd zijn in het gebruik ervan en uitsluitend voor de doeleinden waarvoor deze is ontworpen.

ENERGIE VOEDING.

► Zorg ervoor dat de energie voeding is aangepast aan de op het informatiebord van de takel eisen (1) ► Bij een lage spanning zal de takel langzaam opereren ► Hierdoor zullen de prestaties verminderen en kan de motor oververhit raken.

VERLENGSNOER.

► Als de werkplaats op enige afstand van de energie voeding ligt, gebruik dan een verlengsnoer van voldoende diameter en kwaliteit.

AARDAANSLUITING.

► Tijdens gebruik moet de takel op aarde worden aangesloten om de gebruiker tegen mogelijke elektrische schokken te beschermen.

WERKING.

► Vóór het begin van het werk, zorg ervoor dat de staalkabel goed is gewikkeld rond de spoel (2).

LET OP.

► Controleer dat de takel correct geniveleerd is voor een juiste kabel opwinding ► Als de takel niet geniveleerd is, zal de kabel verkeerd oprollen en beschadigd raken ► Activeer de controle schakelaar (3) ► In het geval dat de takel een last niet hijst, niet op de schakelaar blijvendrukken; dit betekent dat de last de maximale capaciteit van de takel overschrijdt ► Let op de maximale hefcapaciteit aangegeven op het informatie-panel van de takel, niet op de haak (4).

WAARSCHUWING.

► Wanneer de takel wordt onderworpen aan een excessieve inspanning, heeft deze een thermische beveiliging die de motor stopt om te voorkomen dat deze verbrand ► In dit geval moet u de takel toelaten om 10 tot 20 minuten af

te koelen voordat u deze weer gebruikt ▶ Als de takel stopt tijdens het neerlaten van een lading, is het normaal dat de last enkele centimeters meer naar beneden gaat als gevolg van de traagheid ▶ Laat ten minste drie kabelomwentelingen rond de spoel, zodat de kabelverbinding niet onder stress staat (5) ▶ Als de staalkabel versleten is, moet deze alleen worden vervangen door een kabel met dezelfde functies.

EENVOUDIG KABELSYSTEEM.

▶ In deze modaliteit berist het gewicht van de last op een enkel kabel ▶ De belasting werft rechtstreeks aan de kabel van de takel en het stijgt met normaliteit (6) ▶ Met deze manier van gebruik, heeft de takel heeft een hefcapaciteit die de helft is van de nominale capaciteit ▶ Voor dit gebruik, kan de totale lengte van de kabel worden gebruikt met heffingslimiet die de helft is.

TWEEVOUDIG KABELSYSTEEM.

▶ Met het tweevoudig kabelsysteem kan de takel het totaal van de nominale hefcapaciteit gebruiken ▶ Bij deze modaliteit berust het gewicht van de lading op twee kabels ▶ Voldoende kabel moet van de spoel worden verwijderd en gefixeerd met de haak in de opening in het voorste gedeelte van de takel (7) ▶ Op deze manier heeft de belasting twee steunpunten; de spoel en de haak doe bevestigd is aan de behuizing ▶ Plaats de meegeleverde haak op de kabel (8) ▶ Deze haak is het greppunt voor de belasting in bij het tweevoudig kabelsysteem ▶ Bedenk dat om de totale nominale belasting op te heffen, het tweevoudig kabelsysteem noodzakelijkerwijs gebruik moet worden ▶ Voor dit gebruik, kan de helft van kabellengte worden gebruikt met het totale heffingslimiet.

BEVESTIGING AAN EEN STEUNPUNT.

▶ De takel heeft vier openingen in het bovenste deel van de behuizing (9) ▶ U kunt deze vier openingen als bevestigingspunten gebruiken als het gaat om de takel te bevestigen aan een metalen plaat of iets dergelijks met behulp van de meegeleverde schroeven ▶ Op dezelfde wijze worden twee klemmen bgeleverd om deze aan de takelbehuizing vast te schroeven en tegelijkertijd aan op een steunpunt kunnen worden gezet (10) ▶ Het is zeer belangrijk te verifiëren dat alle schroeven volledig vastgedraaid zijn en dat de fixatie volledig veilig is.

OPLAAT LIMIET APPARAAT.

▶ De takel is ontworpen om alleen te worden gebruikt in verticale hoogte en nooit om mensen of dieren te eleveren ▶ De takel is uitgerust met een eind-hefboom die als functie heeft de motor te stoppen als de last tot de maximale hoogte is verheven (11) ▶ Dit eind-hefboom nooit wijzigen of verwijderen.

NEERLAAR LIMIET APPARAAT.

▶ De takel is uitgerust met een veiligheidssysteem om het buitensporig afrollen van de kabel in het nerlaatproces te voorkomen ▶ Wanneer er twee kabelspoelrollen over zijn, wordt de eindschakelaar geactiveerd en stopt de motor om het risico van ongevallen te vermijden.

ONDERHOUD.

▶ De takel is ontworpen voor een lange levensduur met een minimum aan onderhoud ▶ Optimaal gebruik hangt af van de juiste verzorging en regelmatige reiniging van de takel ▶ Om ongelukken te voorkomen, altijd de stekker van de takel uit het stopcontact halen vóór het schoonmaken of onderhoud ▶ De takel kan na elk gebruik effectief worden gereinigd met behulp van perslucht ▶ Als er geen perslucht beschikbaar is, gebruik dan een borstel om stof van de takel te verwijderen ▶ Motor ventilatieopeningen schakelaarhendels moeten altijd schoon en vrij van stoffen ▶ Probeer tijdens het schoonmaken niet puntige voorwerpen door de openingen te voegen ▶ Sommige reinigings- en oplosmiddelen kunnen schade verrichten aan de kunststof onderdelen, onder deze zijn benzine, tetrachloorkoolstof, chloorhoudende schoonmaakmiddelen, ammoniak en huishoudelijke schoonmaakmiddelen die ammoniak bevatten ▶ Gebruik geen van deze om de takel schoon te maken ▶ Mochten er overmatige vonken ontstaan, laat dan de Werku® officiële reparatiedienst een revisie maken en/of de koolborstels vervangen.

VEELVULDIGE KEURINGEN.

▶ Controleer regelmatig dat de stalen kabel in goede staat is en dat deze niet versleten of beschadigd is (12) ▶ Controleer de situatie van de schroeven die de takel klemmen (13) ▶ Controleer regelmatig of de motor noodstop schakelaar en normale aan/uit schakelaar in goede operationele omstandigheden zijn (14).

THERMISCHE BEVEILIGING.

► Deze takel beschikt over een thermische beveiliging tegen overbelasting van het werk of elektrische spanning ► Wanneer de motor continu gedurende minuten aan het werk is, zal de hitte scherm deze automatisch laten stoppen om storingen te voorkomen ► Na minuten rust, zal de motor weer werken (75-25%).

MILIEU BESCHERMING.

► De materialen en componenten die zijn gebruikt om dit product te vervaardigen kunnen worden hergebruikt en gerecycleerd ► Werku® is gehecht aan een geïntegreerd managementsysteem dat verantwoordelijk is voor de correcte verwijdering van de residuen van dit product ► Gooi dit product niet weg met de gewone vuilnis ► Werku® biedt haar klanten een gratis collectiedienst voor deze resten op elke verkooppunt, op het verzamelpunt van het managementsysteem en op het schone inzamelpunt van uw woonplaats.

GARANTIE EN TECHNISCHE SERVICE.

► Apart van de wettelijke garantie, biedt Werku® een extra commerciële garantie ► Deze commerciële garantie dekt de reparatie van alle geconstateerde gebreken die te wijten aan fouten in het materiaal of de fabricage ► Om deze dekking effectief te zijn is het noodzakelijk dat de gebreken verschijnen binnen de geldigheidsduur ► The consument heeft recht op gratis reparatie van alle defecten die Werku® erkent zoals opgenomen in de commerciële garantie (verzendkosten, arbeidskosten en materialen inbegrepen) en gekozen door Werku®, hetzij via de reparatie of door vervanging (eventueel met een nieuwer model) ► Deze commerciële garantie heeft geen invloed op de rechten van de consument gevestigd door de wet overeenkomstige Richtlijn 1999/44 /CE ► Deze commerciële garantie is geldig gedurende 24 maanden ► Als dit product is bestemd voor professioneel of industrieel gebruik, is de geldigheidsduur 12 maanden ► The geldigheidsduur begint op de datum van aankoop van de eerste consument ► Deze datum wordt getoond op de factuur of aankoopbon ► Acties voor claims tegen deze commerciële garantie vervallen zes maanden na het einde van de geldigheidsperiode ► Alle claims die voortvloeien uit deze commerciële garantie moeten aan de distributeur of aan de Technische Dienst

worden voorgelegd ► Hiervoor moet u deze garantie correct ingevuld en gestempeld by de distributeur presenteren, samen met de factuur of kassabon ► Voor welke informatie ook over deze commerciële garantie, kunt U contact opnemen met de Technische Dienst op het telefoonnummer +34 981 648 119, of per e-mail op info@werku.com ► Deze commerciële garantie geldt niet voor defecten veroorzaakt door onderdelen die versleten zijn door gebruik en andere vormen van natuurlijke slijtage, defecten veroorzaakt door het niet opvolgen van de instructies voor het gebruik, bij toepassingen waarvoor dit product niet bestemd is, voor afwijkende omgevingsfactoren, overbelasting of onzorgvuldig onderhoud of reiniging, voor gebreken veroorzaakt door het gebruik van onderdelen, accessoires of vervangingen die niet origineel Werku® onderdelen zijn, indien dit product geheel of gedeeltelijk gedemonteerd, aangepast of gerepareerd is door iemand verschillend van de Technische Dienst, bij minimale en irrelevante onregelmatigheden die het normale gebruik niet beïnvloeden ► Reparaties en vervangingen verlengen of vernieuwen de geldigheidsduur van deze commerciële garantie niet ► De vervangen onderdelen worden eigendom van Werku® ► Indien de koper dit product naar de Technische Dienst stuurt en deze niet voldoet aan de voorwaarden van deze commerciële garantie, zijn alle onkosten en transport risico's voor de koper ► Deze commerciële garantie is alleen geldig op het grondgebied van de Europese Unie ► Het bedrijf dat verantwoordelijk is voor de naleving van deze Werku® commerciële garantie is Werku Tools SA.

TECHNISCH ADVIES.

► De technische afdeling van Werku® staat tot uw beschikking om eventuele vragen op te lossen die u mocht hebben met betrekking tot zijn producten ► Als u contact wilt opnemen met ons team, stuur dan een e-mail naar info@werku.com.

DECLARAÇÃO CONFORMIDADE CE.

► Werku® declara que o garibalde **WK400550** corresponde às Directivas e Normativas Europeias 2006/42/CE, 2014/30/EU, EN 14492-2:2006+A1, EN 60204-32:2008, EN 55014-1:2017, EN 55014-2:2015, EN 61000-3-2:2019 and EN 61000-3-3:2013.

La Coruña, 01/12/2020

R Yáñez

Werku Tools SA

CARACTERÍSTICAS TÉCNICAS.

► Voltagem-frequência 230V~50Hz ► Potência 1600W ► Classe I ► Índice protecção IP54
► Rotações 2500 min⁻¹ ► Capacidade elevação 500-1000 kg ► Velocidade elevação 8-4 mpm
► Altura elevação 22-11 m ► Resistência cabo ≥ 2500 kg ► Comprimento cabo 22 m ► Diâmetro cabo 5.6 mm ► Peso líquido 31 kg ► Pressão acústica LpA ≤70 dB(A) ► Possível variação KpA 3.0 dB(A) ► Pressão acústica LwA ≤80 dB(A) ► Possível variação KwA 3.0 dB(A) ► Vibração Aw ≤2.5 m/s²
► Possível variação K 1.5 m/s².

INSTRUÇÕES DE SEGURANÇA.

► Leia todos os avisos de segurança e todas as instruções ► Não seguir todas as advertências e as instruções listadas abaixo pode resultar em choque eléctrico, incêndio e/ou ferimento grave ► Manter todos os avisos e as instruções para referência futura ► Os acidentes poderam evitar-se em muitos casos dando-se conta de uma situação perigosa antes de que se produza, e observando fielmente os procedimentos de segurança apropriados ► Não utilize nunca este garibalde para aplicações que não sejam as especificadas neste manual.

SEGURANÇA DO ÁREA DE TRABALHO.

► Manter a área de trabalho limpa e bem iluminada
► As áreas desorganizadas e escuras provocam acidentes ► Não opere ferramentas eléctricas em atmosferas explosivas, como na presença de líquidos, gases ou poeiras inflamáveis ► Manter longe do alcance das crianças e curiosos enquanto estiver operando uma ferramenta eléctrica ► As distrações podem fazer você perder o controle.

SEGURANÇA PESSOAL.

► Esteja alerta, observe o que está fazendo e use o bom senso ao operar uma ferramenta eléctrica
► Não use a ferramenta quando estiver cansado ou sob a influência de drogas, álcool ou medicamentos
► Um momento de desatenção enquanto opera uma ferramenta pode causar ferimentos graves.

USE EPIS.

► Use óculos protetores según EN166 ► Use máscaras protetores según EN149 ► Se o tipo de trabalho a realizar assim o exigir, utilize outros EPIs específicos.

NÃO TRABALHE DE PUNTILHAS.

► Mantenha seus pés no chão e equilíbrio em todos os momentos ► Isso permite melhor controle da ferramenta em situações inesperadas.

USAR ROUPA APROPRIADA.

► Não use roupas folgadas ou jóias ► Manter o cabelo, roupas e luvas longe das peças móveis ► Roupas folgadas, jóias ou cabelos longos podem ser agarradas por partes ► Se houver dispositivos para conexão através de extracção e colecta de pó, verifique se eles estão conectados e usados correctamente ► O uso destes dispositivos podem reduzir os riscos relacionados à poeira.

SEGURANÇA ELÉCTRICA.

► O plugue da ferramenta eléctrica deve coincidir com a base do soquete ► Nunca modifique o plugue de qualquer forma ► Não utilize plugues adaptadores com ferramentas eléctricas ligadas à terra ► Plugues não modificados e bases compatíveis reduzirão o risco de choque eléctrico ► Evite contacto corporal com superfícies aterradas tais como tubos, radiadores, fogões e geladeiras ► Há um aumento do risco de choque eléctrico se seu corpo está no chão
► Não exponha ferramentas eléctricas à chuva ou humidade ► A água entrando na ferramenta eléctrica aumentará o risco de choque eléctrico.

NÃO FORCE O CABO ELÉCTRICO.

► Nunca use o cabo de carregar, erguer ou retirar a ferramenta eléctrica ► Mantenha o cabo longe do calor, óleo, cantos afiados ou partes móveis ► Os cabos danificados ou emaranhados

aumentam o risco de choque eléctrico ► Ao operar uma ferramenta eléctrica ao ar livre, use um cabo de extensão apropriado para uso externo ► O uso de um cabo de extensão apropriado para áreas exteriores reduz o risco de choque eléctrico ► Se a utilização de uma ferramenta eléctrica em um local húmido estiver disponível, usar um poder protegida por um dispositivo de corrente residual (RCD) ► O uso de um RCD reduz o risco de choque eléctrico.

EVITE UM ACCIONAMENTO INVOLUNTÁRIO.

► Verifique se o interruptor está na posição “off” antes de se conectar à rede, e ao coger ou carregar a ferramenta eléctrica ► Carregar ferramentas eléctricas com seu dedo no interruptor ou ligar que têm o interruptor em posição “on” convida a acidentes ► Retire a chave ou a ferramenta antes de iniciar a ferramenta eléctrica ► Unha chave ou ferramenta esquecida ou anexada a uma parte rotativa dunha ferramenta eléctrica pode causar danos pessoais.

USO E CUIDADOS COM FERRAMENTAS ELÉCTRICAS.

► Não force a ferramenta eléctrica ► Use a ferramenta eléctrica correta para sua aplicação ► A ferramenta eléctrica correta fará o trabalho melhor e mais seguro se a taxa para o qual foi concebido ► Não use a ferramenta eléctrica se o interruptor não pode ser posicionada em posição “off” e “on” ► Qualquer ferramenta eléctrica que não pode ser controlada com o interruptor é perigosa e deve ser reparada ► Retire o plugue da alimentação e/ou da bateria antes de fazer quaisquer ajuste, troco de acessórios ou amacene de ferramentas eléctricas ► Tais medidas preventivas reduzem o risco de accionamento accidental da ferramenta eléctrica.

GUARDE AS FERRAMENTAS ELÉCTRICAS.

► Guarde as ferramentas fora do alcance das crianças e não permitir o manuseamento de ferramentas eléctricas para as pessoas não familiarizadas com as ferramentas ou com estas instruções ► As ferramentas eléctricas são perigosas nas mãos de utilizadores inexperientes.

MANUTENÇÃO.

► Verifique as partes móveis de desalinhamento, não há peças quebradas ou outras condições que podem afectar o funcionamento das ferramentas

eléctricas ► As ferramentas eléctricas são reparadas antes da utilização, quando estão danificadas ► Muitos acidentes são causados por ferramentas eléctricas sem manutenção ► Use ferramentas eléctricas, acessórios e pontas de ferramentas, etc de acordo com estas instruções e na forma prevista para o tipo particular da ferramenta, levando em conta as condições de trabalho e o trabalho a desenvolver ► O uso da ferramenta eléctrica para outras aplicações que não foram previstas, pode resultar em uma situação perigosa ► Verifique a sua ferramenta reparada por um serviço oficial de reparação Werku® usando peças de substituição idênticas ► Isso irá garantir a segurança da ferramenta seja mantida.

VIGIE O BOM ESTADO DO GARIBALDE.

► Verifique se os parafusos do garibalde estão todos perfeitamente apertados ► Em climas frios ou quando o garibalde tenha estado sem uso durante muito tempo, deixe que o garibalde aqueça um pouco fazendo-o funcionar em vazio durante uns minutos para permitir uma perfeita lubrificação dos componentes internos ► Certifique-se que os possíveis acessórios instalados están perfeitamente assentes na posição correcta.

ANTES DE COMEÇAR A TRABALHAR.

► Certifique-se que se encontra firmemente apoiado ► Certifique-se que não há ninguém debaixo da zona de influência do garibalde quando levar a cabo trabalhos em zonas elevadas ► Afaste as mãos das partes em movimento do garibalde.

DURANTE O FUNCIONAMENTO.

► Não deixe o garibalde a funcionar sem tela bem fixo ► Coloque-o em funcionamento quando tiver a certeza que está perfeitamente controlado ► Não aponte co garibalde a ninguém durante o funcionamento ► O garibalde produzirá vibrações durante o funcionamento ► Os parafusos podem afrouxar progressivamente podendo causar avarias ou acidentes ► Afaste as mãos das partes em movimento do garibalde.

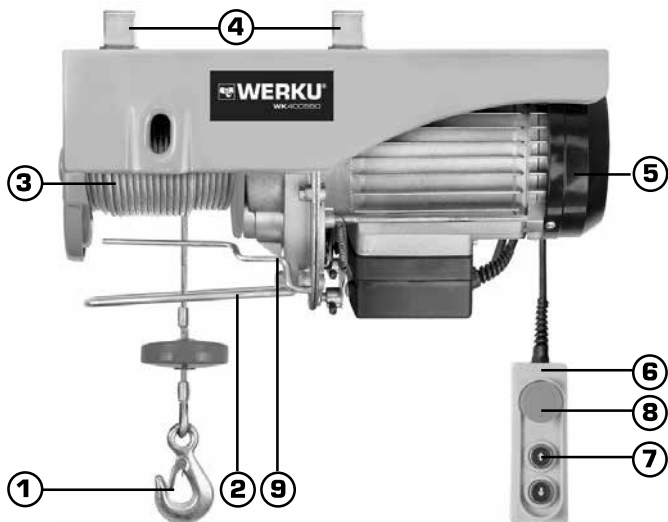
AO TERMINAR DE TRABALHAR.

► Não toque nos acessórios instalados no garibalde após a sua utilização ► Pode estar muito quente e provocar queimaduras ► Alguns materiais sobre os quais trabalhará podem conter químicos ou componentes que podem ser tóxicos ► Tenha cuidado para prevenir a inalação destas substâncias ou o contacto com a pele

► Utilize os EPIs desenhados para o prevenir e proteger destas incidencias.

DESCRIÇÃO DO PRODUTO.

► O garibalde foi desenhado para realizar trabalhos de de elevação vertical ► Observe este esquema para se familiarizar com o garibalde antes de o utilizar.



1. Gancho.
2. Alavanca fim carreira.
3. Cabo.
4. Suportes.
5. Motor.
6. Comando.
7. Interruptor.
8. Botão segurança.
9. Dispositivo limitador baixada.

INSTRUÇÕES DE USO.

► Antes de colocar o garibalde em funcionamento, aconselhamos a ler completa e minuciosamente todas as instruções que se indicam ► Ainda assim, deverá ter em conta as normas para a prevenção de acidentes, os regulamentos e as directivas, as leis e restrições vigentes para os centros de trabalho ► O garibalde deve de ser utilizado unicamente por pessoas devidamente preparadas para a sua operação e exclusivamente de acordo com os fins previstos.

FONTE DE ALIMENTAÇÃO.

► Certifique-se de que a fonte de alimentação se ajusta aos requisitos especificados na placa de dados do garibalde (1) ► Pôr o motor a funcionar a baixa voltagem fará com que este opere lentamente ► Isto reduzirá o rendimento e pode causar o sobreaquecimento do motor.

EXTENSÃO ELÉCTRICA.

► Quando a zona de trabalho estiver afastada da fonte de alimentação, utilize uma extensão eléctrica com diâmetro e qualidade suficientes.

LIGAÇÃO À TERRA.

► O garibalde deverá estar ligado à terra enquanto estiver a ser utilizado de forma a proteger o operário de eventuais choques eléctricos.

FUNCIONAMENTO.

► Antes de começar a trabalhar com o garibalde, certifique-se de que o cabo metálico se encontra enrolado correctamente (2).

IMPORTANTE.

► Comprove que o garibalde está bem nivelado para um enroliamento correto do cabo ► Se o garibalde não está bem nivelado o cabo se enrolará mau e será danado ► Accione o interruptor do mando (3) ► Caso o garibalde não levante um peso determinado, não continue a carregar no botão, já que isto indica que o peso ultrapassa a capacidade máxima de levantamento ► Observe a carga máxima admitida indicada na placa identificativa do garibalde, não no gancho (4).

ATENÇÃO.

► Se o garibalde se submete a um esforço excessivo, este tem um sistema de protecção térmica que detém o motor para evitar que se queime ► Nesse caso deve deixá-lo esfriar entre 10 e 20 minutos antes de voltar a utilizá-lo ► É normal que quando o garibalde se pare enquanto se está a fazer descer uma carga, esta desça uns centímetros mais por causa da força da inercia ► Mantenha pelo menos três voltas de cabo no rolo de maneira a não forçar a ligação do cabo (5) ► Se o cabo está desgastado, é preciso substituí-lo por outro das mesmas características.

SISTEMA CABO SIMPLES.

► Nesta modalidade de uso o peso da carga descansa sobre um só cabo ► A carga se engancha diretamente ao cabo do garibalde se eleva com normalidade (6) ► Utilizando este modo de uso, o garibalde tem capacidade para elevar como máximo a metade da sua carga nominal ► Neste tipo de uso, dispõe-se do total

da longitude do cabo da bobina para elevar como limite a metade da carga máxima do garibalde.

SISTEMA REENVIO.

► O modo de que o garibalde possa elevar o total da sua carga nominal é utilizando o sistema de reenvio ► Nesta modalidade de uso o peso da carga descansa sobre dois cabos ► Para isso, saque cabo suficiente da bobina e fixe o gancho no orifício localizado na parte frontal da carcaça do garibalde (7) ► Deste modo, a carga ao ser elevada dispõe de dois pontos de apoio, por um lado a própria bobina de cabo e por outro lado o gancho fixado sobre a carcaça ► Coloque sobre o cabo a roldana fornecida (8) ► Esta roldana será o ponto de enganche da carga no sistema de reenvio ► Recorde que para elevar o total de carga nominal do garibalde tem de utilizar-se necessariamente o sistema de reenvio ► Neste tipo de uso, dispõe-se da metade da longitude do cabo da bobina para elevar como limite o total da carga máxima do garibalde.

FIXAÇÃO A UM SUPORTE.

► O garibalde dispõe de quatro orifícios na parte superior da carcaça (9) ► Pode utilizar estes quatro orifícios como pontos de ancoragem se vai fixar o garibalde numa chapa metálica ou algo similar usando os parafusos fornecidos para isso ► Do mesmo modo, fornecem-se duas abraçadeiras para fixá-las à carcaça do garibalde desta forma fixá-lo a um suporte preparado a tal efeito de um modo seguro (10) ► É extremamente importante que se assegure de que tanto de um modo como de outro, os parafusos estão perfeitamente apertados em sua totalidade e que a fixação é completamente segura.

DISPOSITIVO LIMITADOR SUBIDA.

► O garibalde está desenhado para ser utilizado unicamente em elevação vertical e nunca para elevar pessoas ou animais ► Dispõe de uma alavanca de fim de carreira cuja função é fazer parar o motor do garibalde uma vez que a carga foi elevada a sua máxima altura (11) ► Em nenhum caso modifique nem retire dita alavanca por questões de segurança.

DISPOSITIVO LIMITADOR BAIXADA.

► O garibalde está equipado com um dispositivo de segurança que no processo de baixada de

carga evitará um desenrolamento excessivo do cabo ► Quando na bobina fiquem duas voltas de cabo se activará um interruptor limitador que deterá o motor evitando assim risco de acidentes.

MANUTENÇÃO.

► O garibalde foi desenhado para funcionar durante muito tempo com o mínimo de manutenção ► O funcionamento óptimo depende do bom cuidado do garibalde e de uma limpeza frequente ► Para evitar acidentes, retire sempre ao garibalde da fonte de alimentação antes de dar início à limpeza ou a qualquer tipo de manutenção do mesmo ► O garibalde deverá ser limpo de maneira eficaz mediante o uso de ar comprimido ► Utilize sempre óculos protetores quando trabalhar com ar comprimido ► Se não poder utilizar ar comprimido, retire as poeiras do garibalde com uma escova ► As fendas de ventilação do motor e os interruptores devem estar sempre limpos e sem qualquer tipo de resíduos ► Não tente limpá-los introduzindo objectos pontiagudos através das aberturas ► Alguns produtos de limpeza e dissolventes danificam os componentes de plástico, entre os quais se destaca a gasolina, o tetraclorometano, os dissolventes de limpeza clorados, o amoníaco, os produtos de limpeza clorados, e os produtos de limpeza domésticos que contêm amoníaco ► Não utilize nenhum dos produtos anteriormente mencionados para limpar o garibalde ► Caso detecte a formação de faíscas de modo excessivo, faça com que o Serviço oficial de reparação Werku® reveja o garibalde e/ou substitua as escovas.

COMPROVAÇÕES FREQUENTES.

► Verifique periodicamente o correto estado do cabo de aço, não deve estar desgastado nem danificado (12) ► Verifique as condições e o aperto das porcas das braçadeiras de amarre do garibalde (13) ► Verifique periodicamente o correto funcionamento do interruptor de paragem de emergência e do interruptor do comando (14).

PROTEÇÃO TÉRMICA.

► O garibalde dispõe de uma proteção térmica contra sobrecargas de trabalho ou de tensão eléctrica ► Quando o motor funcionar durante uns

minutos de forma continuada, a proteção térmica parará o motor automaticamente a fim de evitar avarias ► Depois de uns minutos de descanso, o motor funcionará de novo (75-25%).

PROTECÇÃO DO MEIO AMBIENTE.

► Os materiais e os componentes que foram usados para fazer este produto podem ser reutilizados e reciclados ► Werku® está aderido a um Sistema Integrado de Gestão que está encarregado da correta eliminação dos resíduos deste produto ► Não elimine este produto com os resíduos domésticos ► Werku® oferece aos seus clientes um serviço livre de coleção destes resíduos nos seus pontos de venda, nos pontos da coleção estabelecidos pelo Sistema Integrado de Gestão ou no ponto de reciclagem da sua cidade.

GARANTIA E SERVIÇO TÉCNICO.

► Para além da garantia legal, a Werku® oferece uma garantia comercial adicional ► Esta garantia comercial cobre a reparação dos defeitos resultantes de erros nos materiais ou na fabricação ► Para isso é imprescindível que os defeitos ocorram dentro do período de validade ► O consumidor tem direito à reparação gratuita dos defeitos que a Werku® reconheça como incluídos na garantia comercial (custos de envio, mão de obra e materiais incluídos), cabendo à Werku®, optar pela reparação da escada defeituosa ou pela substituição (substituindo, se for necessário, por um modelo posterior) ► Esta garantia comercial não afecta os direitos do consumidor estabelecidos pela lei de acordo com a Directiva 1999/44/CE ► O período de validade desta garantia comercial é de 24 meses ► Caso o produto se destine a um uso profissional ou industrial, o período de validade é de 12 meses ► O período de validade começa na data de aquisição pelo primeiro consumidor ► Esta data está reflectida na factura ou ticket de compra ► A acção para reclamar o cumprimento desta garantia comercial prescreve seis meses a contar do fim do período de validade ► A reclamação em virtude desta garantia comercial deve apresentar-se ao distribuidor ou ao Serviço de Assistência Técnica ► Para isso é imprescindível apresentar esta garantia devidamente preenchida e selada

pelo distribuidor, juntamente com a factura ou o ticket de compra ► Para qualquer informação referente a esta garantia comercial o comprador e/ou o distribuidor pode pôr-se em contacto com o Serviço de Assistência Técnica, através do telefone +34 981 648 119, ou por correio electrónico info@werku.com ► Ficam excluída desta garantia comercial os defeitos que tenham sido causados por peças desgastadas pelo uso ou outro tipo de desgaste natural, os defeitos causados pela inobservância ou incumprimento das instruções de uso e funcionamento, ou de aplicações não conformes com o uso a que se destina este produto, ou de factores ambientais anormais, ou de sobrecarga, ou de manutenção ou limpeza inadequadas, defeitos causados pelo uso de acessórios, complementos ou peças de substituição que não sejam peças originais da Werku®, o produto total ou parcialmente desmontado, modificado ou reparado por pessoal alheio ao Serviço de Assistência Técnica o as irregularidades mínimas e irrelevantes para o uso e funcionamento adequado ► As reparações e substituições não prolongam nem renovam o prazo de validade desta garantia comercial ► As peças substituídas passam a ser propriedade da Werku® ► Se o comprador enviar o produto para o Serviço de Assistência Técnica, não cumprindo as condições desta garantia comercial, as despesas e riscos de transporte correm a cargo do comprador ► Esta garantia comercial é válida dentro do território da União Europeia ► A empresa responsável pelo cumprimento desta garantia comercial da Werku® é Werku Tools SA.

ASSESSORAMENTO TÉCNICO.

► A Werku® põe a sua disposição seu departamento técnico para resolver qualquer dúvida que possa surgir sobre seus produtos ► Em caso que deseje estabelecer contato com nossa equipe, remeta um correio electrónico à direcção info@werku.com.



fig.1

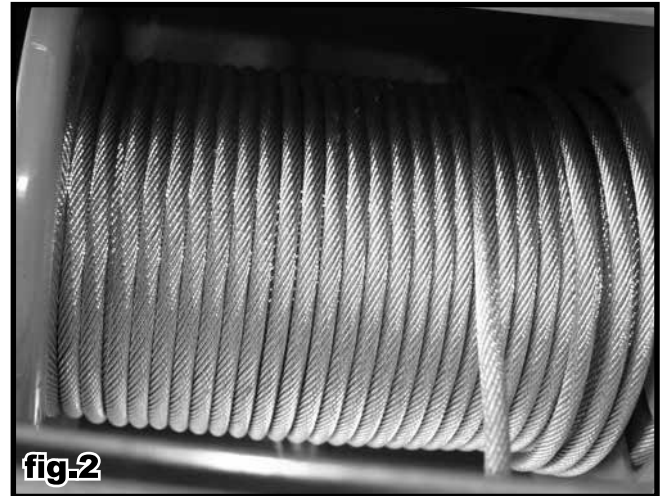


fig.2

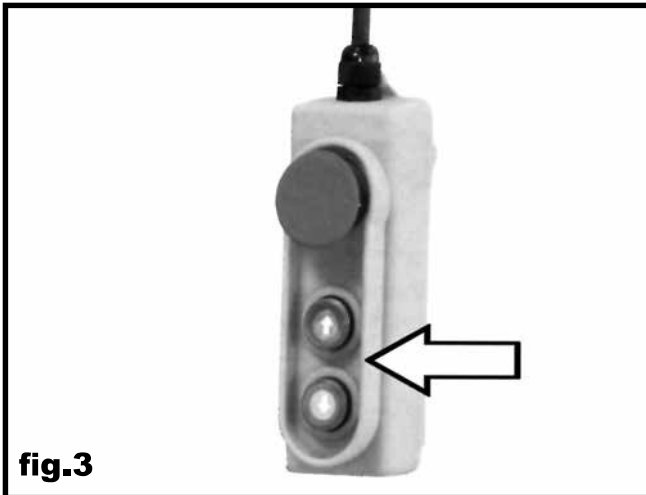


fig.3



fig.4

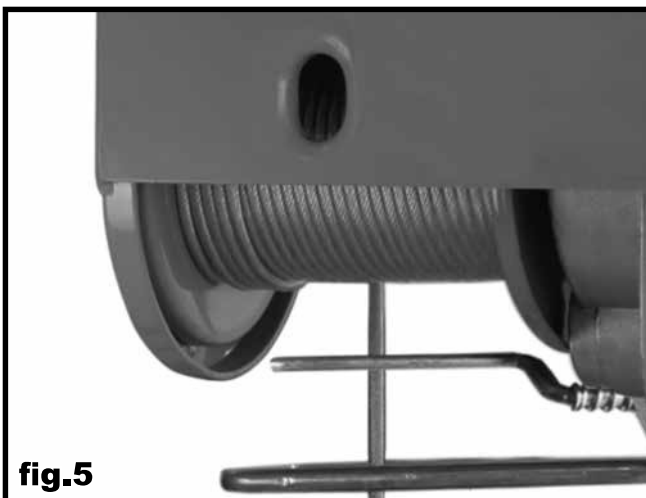
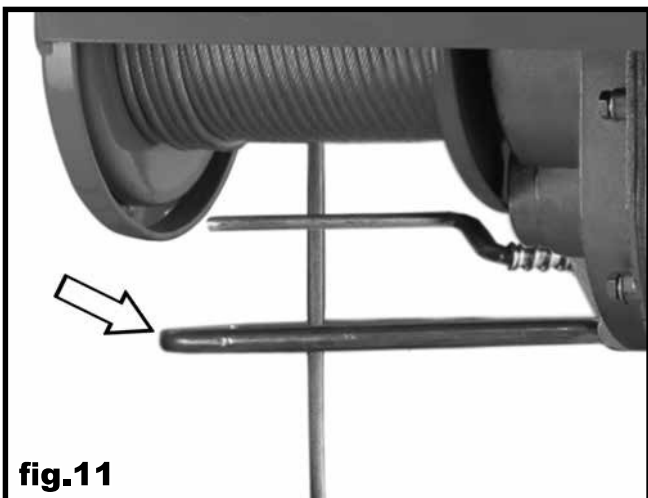
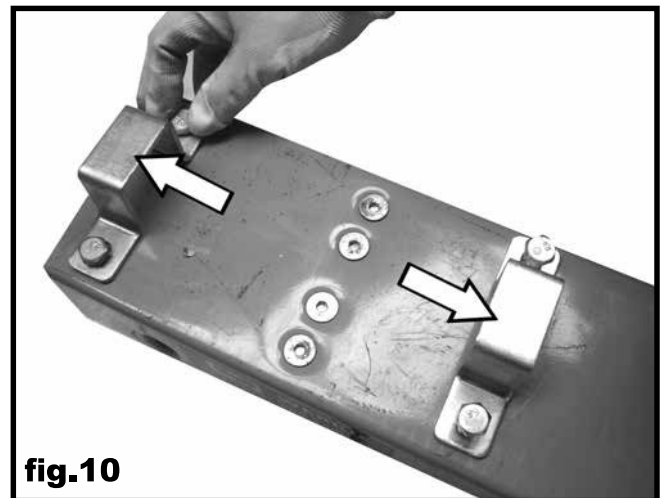
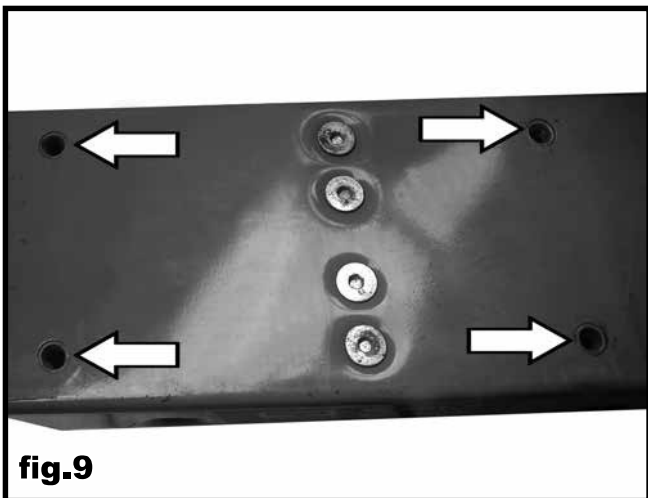
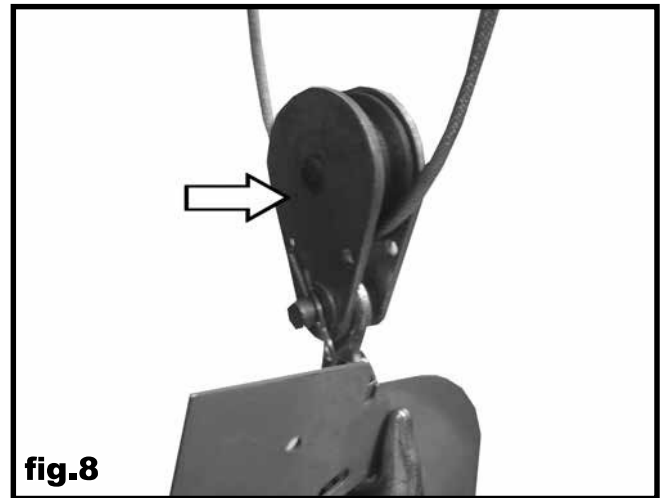
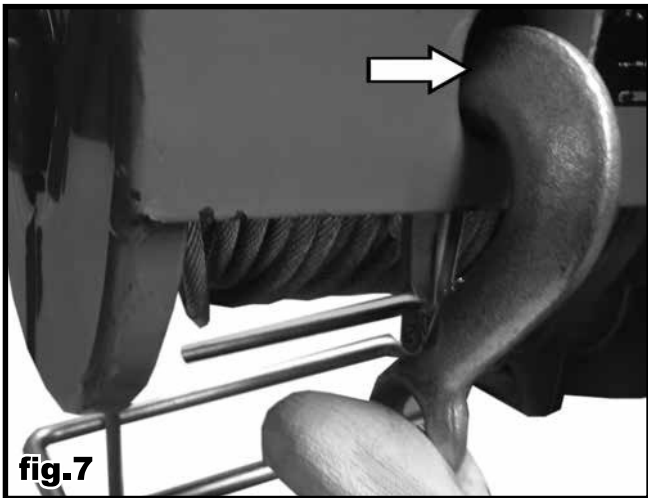
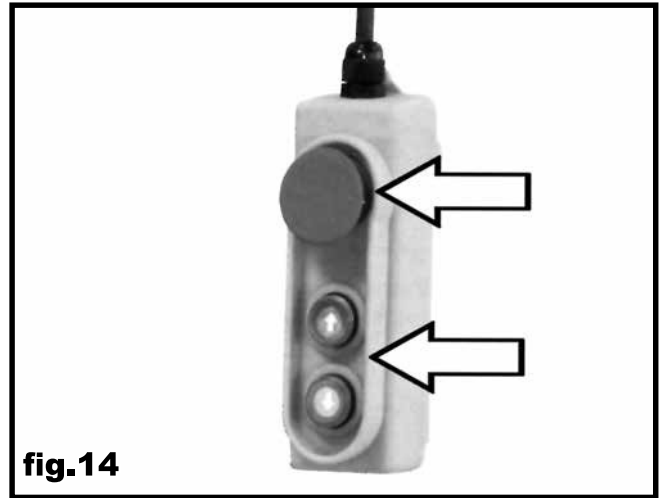
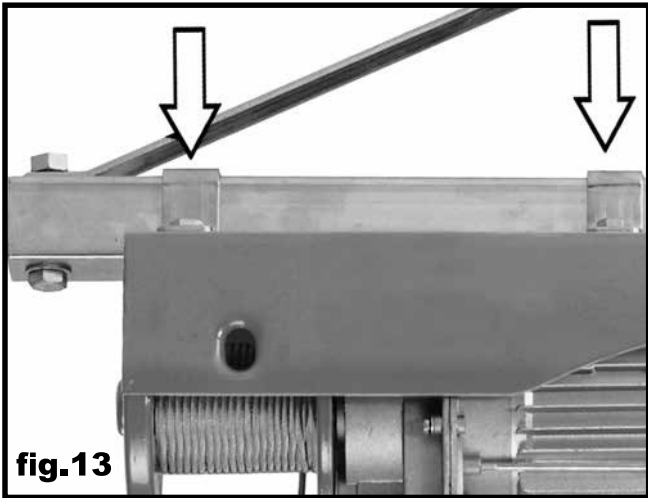


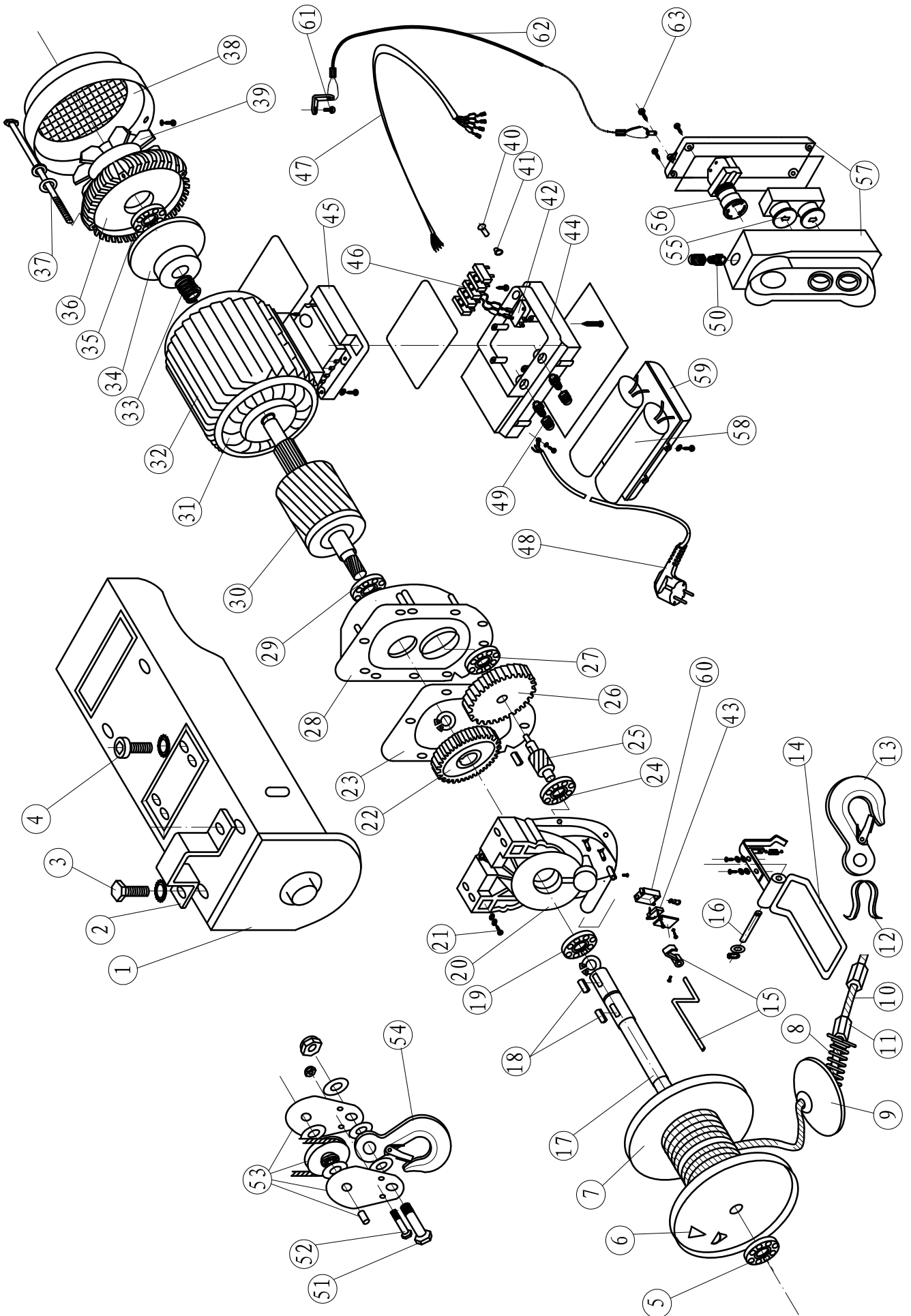
fig.5



fig.6







GUARANTEE

►Service under guarantee is only provided upon presentation of this signed and stamped guarantee, together with the invoice or receipt.

GARANTÍA

►Para hacer uso del servicio de garantía es imprescindible la presentación de esta garantía debidamente cumplimentada y sellada, junto con la factura o ticket de compra.

GARANTIE

►Service unter Garantie ist nur versehen bei Vorlage dieses unterzeichneten und abgestempelten Garantie, zusammen mit der Rechnung oder Quittung.

GARANTIE

►Service sous garantie est fournie uniquement sur présentation de la garantie signée et cachetée, avec la facture ou le reçu.

GARANTIE

►Service onder garantie wordt alleen verstrekt op vertoon van deze getekende en gestempelde garantie, samen met de factuur of kassabon.

GARANTIA

►A assistência técnica em garantia so e prestada mediante a prestação desta garantia devidamente cumprimentada e selada, junto com a fatura ou ticket de compra.

ITEM NUMBER
NÚMERO ARTÍCULO
ARTIKELNUMMER
NUMÉRO D'ARTICLE
ARTIKELNUMMER
NÚMERO ARTIGO

WK400550

DATE OF PURCHASE
FECHA DE COMPRA
KAUFDATUM
DATE D'ACHAT
DATUM VAN AANKOOP
DATA DE COMPRA

____ / ____ / ____

DISTRIBUTOR STAMP
SELLO DISTRIBUIDOR
VERTRIEBER STEMPEL
DISTRIBUTEUR CACHET
DEALER STEMPEL
CARIMBO DISTRIBUIDOR

